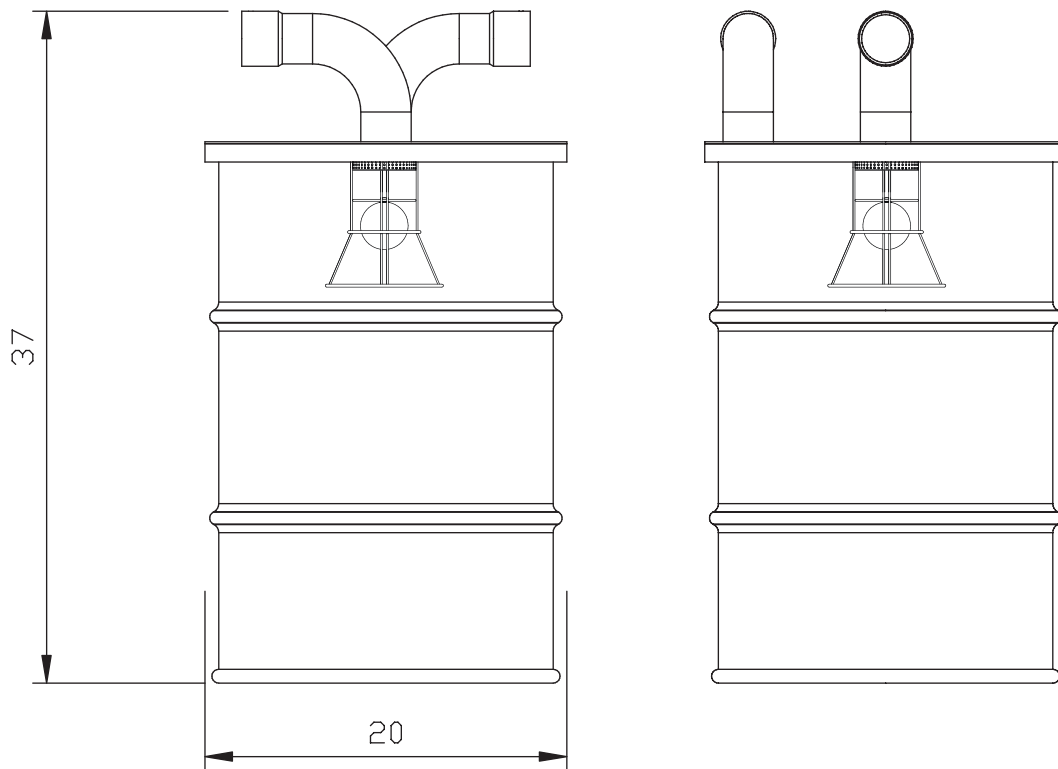


PRE-SEPARATION

Pre-Separator 30 WET



Option



Option



Pre-Separator 30 WET Standard Specifications

- 10 Gauge Steel Interceptor Lid with Urethane Top Coat
- Positive Closure Float for Liquid Collection
- Manual Bottom Discharge Valve
- 2" (50mm) or 2.75" (70mm) Inlet/Outlet
- 30 Gallon Drum
- Drum Dolly with Heavy Duty 3" Casters
- Swivel Cart Connector
- Connecting Hose from Drum to Vacuum

Base Price¹: Pre-Separator 30 WET - Call for Pricing

ADDER	DESCRIPTION
Z	55 gallon Capacity Drum, Lid & Dolly ¹
MM	Tipping Assembly for 30 Gallon Drum ¹
NN	Tipping Assembly for 55 Gallon Drum ¹