

REDLINE BAGGER

INTERMITTENT DUTY GENERAL HOUSEKEEPING SERIES

STANDARD SPECIFICATIONS: **RB470** NEW DOUBLE STACK DESIGN

- Four Motor - 220/1/60, 470 CFM, 6.5Hp and 97" H2O
- Compression Cast **"Bulletproof"** Composite Modular Housing
- External Filter Cleaning Mechanism - Dustless Cleaning of Filter
- 28 ft² MicroClean Filter - 99% Efficient @ 0.5 Microns - 3 Year Guarantee
- HEPA 2.0 Secondary Filter - 99.97% Efficient @ 0.3 Microns
- 2.75" Vacuum Inlet with Aluminum Cast Deflector
- Intermittent Duty Operation
- Direct Bagging Material Collection
- Silencer kit for Extremely Quiet Operation
- Use up to 50' of Hose

RB470
HEPA 2.0 FILTER



FOR THE PROFESSIONAL
INCLUDES RUWAC **3 YEAR FILTER GUARANTEE!**

www.ruwac.com
Ruwac USA

THE FINE DUST EXPERTS

CONTACT US TODAY FOR PRICING AND AVAILABILITY

413-532-4030

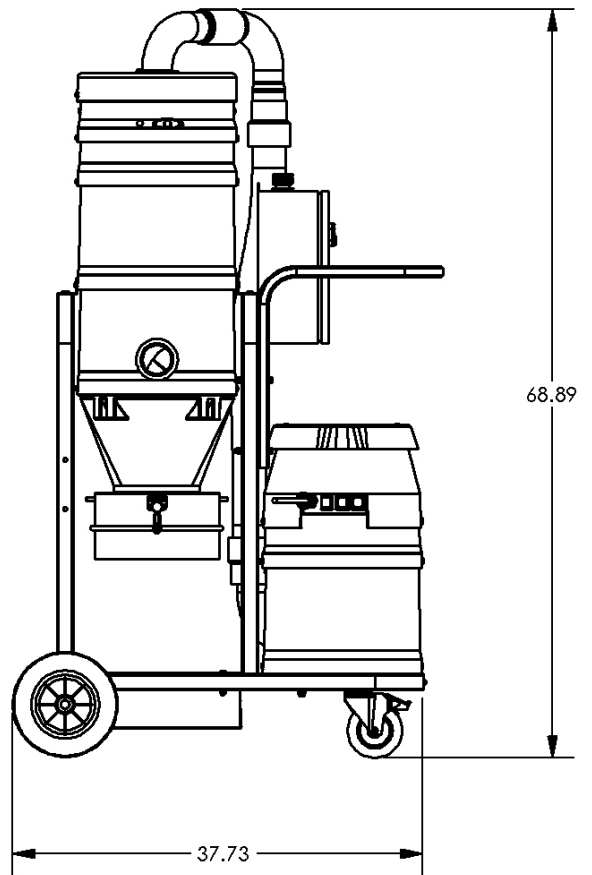
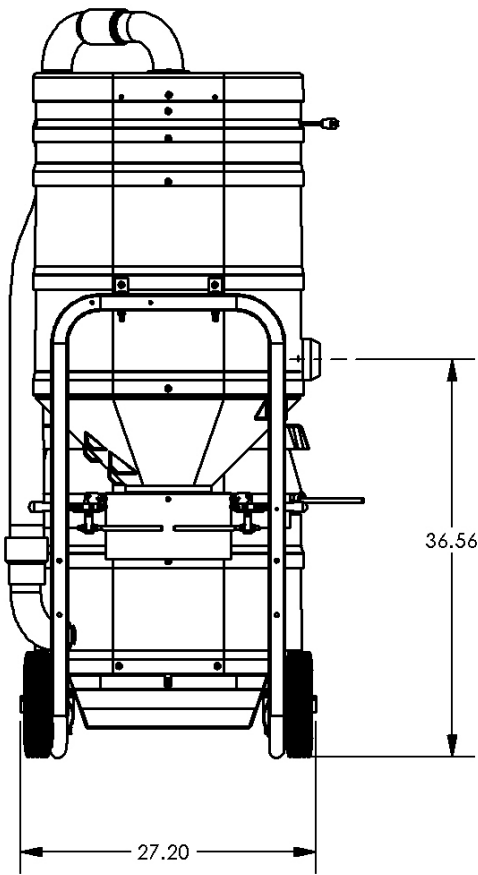
AVAILABLE UPGRADES:

- HEPA Maxx Filter
99.997% Efficient @ .3 Microns
- 32" Floor Sweep
- Dust Extraction Arm
- **LongoPac**[®] Bagging System

Ruwac

INDUSTRIAL VACUUM SOLUTIONS

RB470



*Shown with Optional Power Distribution box