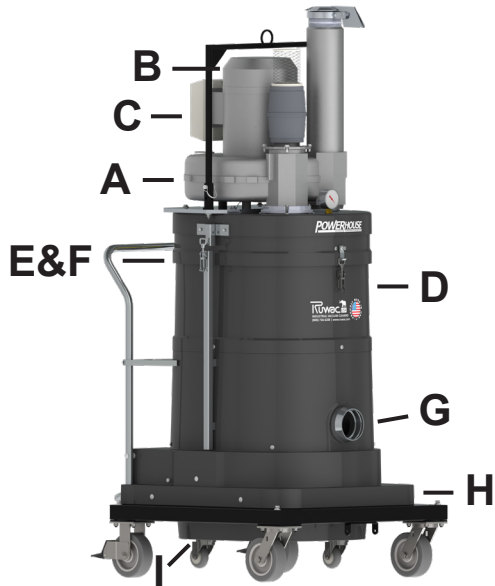




# POWERHOUSE REGEN

CONTINUOUS DUTY  
CLASS II DIVISION 2 LARGE INDUSTRIAL SERIES



A



F



B



C



I



## Powerhouse Vacuum Technology and Benefits:

### A) Ruwac Exclusive Regenerative Blower

- Powerful single stage high pressure vacuum producer
- Onboard spring-loaded relief valve
- Designed for continuous 24/7 operation
- Superior Sound Suppression

### B) Fully enclosed fan-cooled TEFC motor

- Rated for Class II Division 2 Groups F & G

### C) Push Button Starter

- Thermal overload for automatic motor shutdown – temperature class 150°C
- Magnetic compact starter with IP65 enclosure

### D) Durable fiberglass reinforced composite housing

- Static dissipating – electrically insulating (10-6 ohms resistance) will never dent or rust

### E) External filter cleaning mechanism

- Clean the filter without disassembling your vacuum. Never come in contact with the dust!

### F) Industry leading MicroClean filter

- Over sized 48 SQFT – 99% Efficient @ 0.5 Microns

### G) Large vacuum inlet

- 2.75" or 4" vacuum inlet (depends on model) for collection of large materials

### H) Large anti-static casters

- 6" anti-static casters to prevent static buildup

### I) 24 gallon collection capacity – removable dustpan

- Materials collect into large foot actuated dustpan with wheels for easy waste disposal

*\*\*Optional HEPA Maxx and ULPA filtration for air purification*