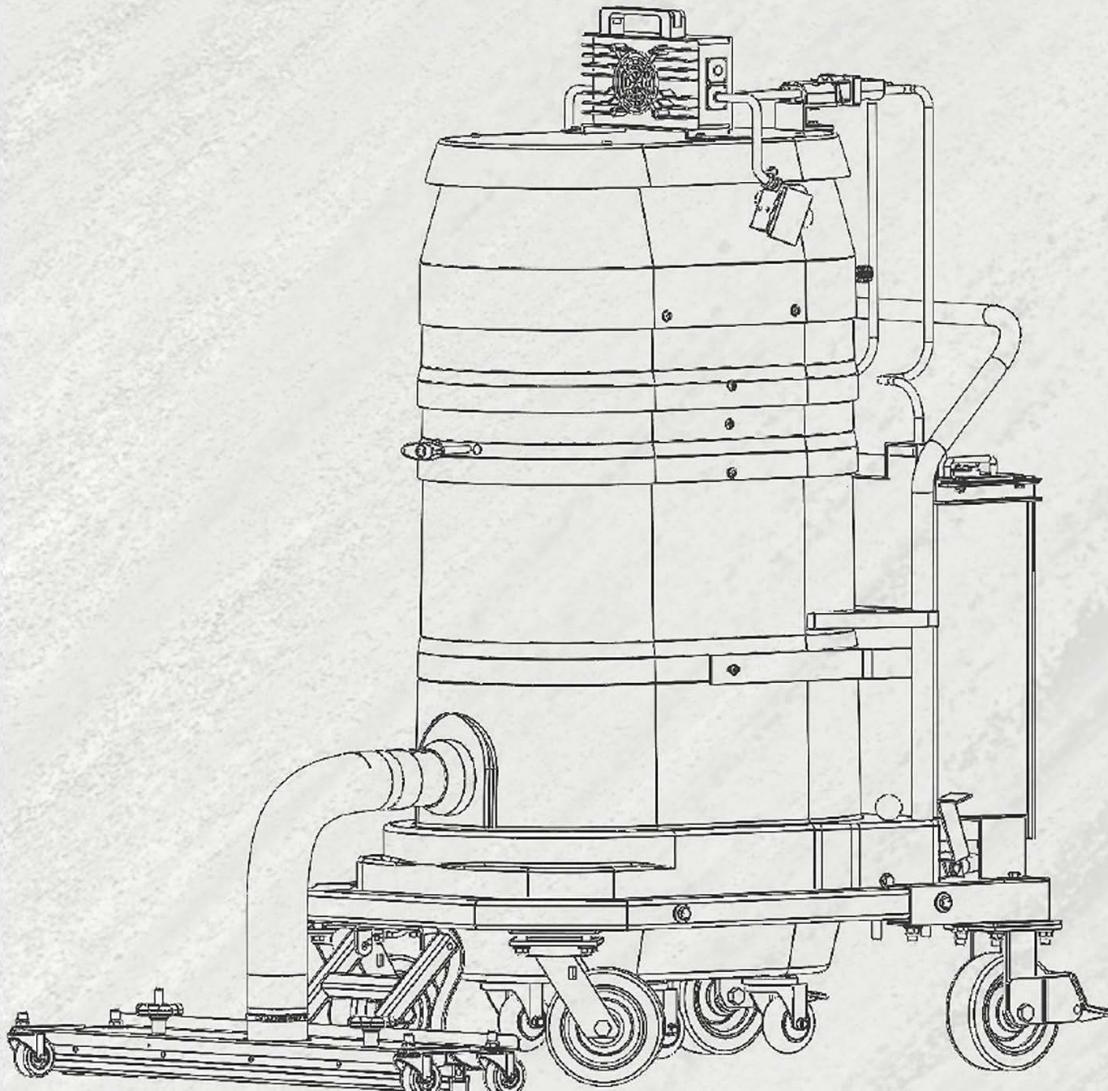


Model No.

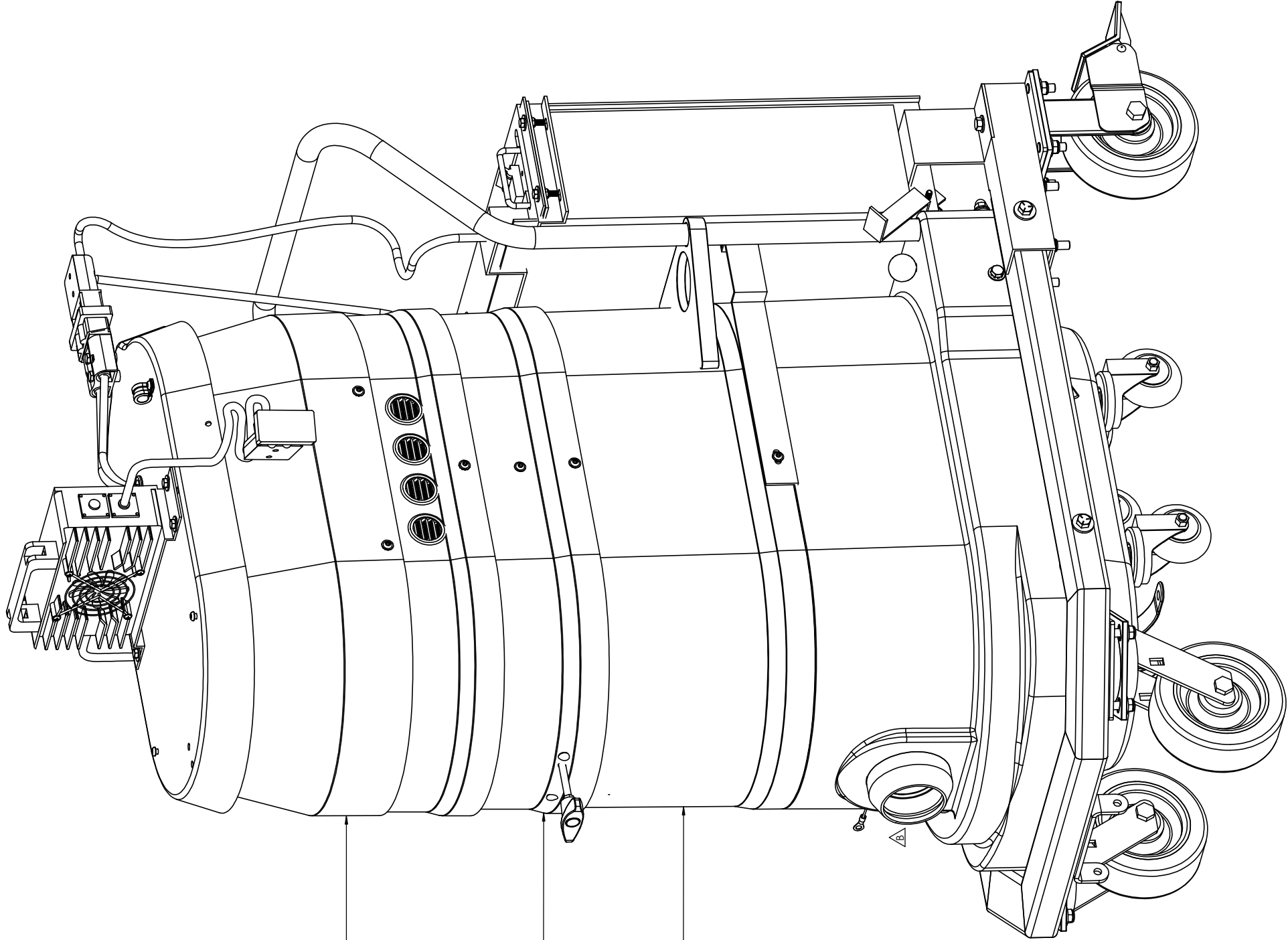
Serial No.

Filter No.

Start-Up Date



INITIALS		DATE	PART#/DRAWING#	DESCRIPTION:
DRAFTER	HE	10/01/2022	BA2510 160C0001USA	BA2100 BATTERY VAC, .48V, 70MM INLET, 210 CFM, 52 H2O IN
REVISIONS				
ZONE	REV.	DESCRIPTION	DATE	APPROVED
	A	RELEASE	9/26/2022	HE
B6	B	ECO 2031: REMOVED FLOOR SWEEP	4/9/2024	RA
	C	ECO 2040: CHANGED COMPONENT	4/9/2024	RA

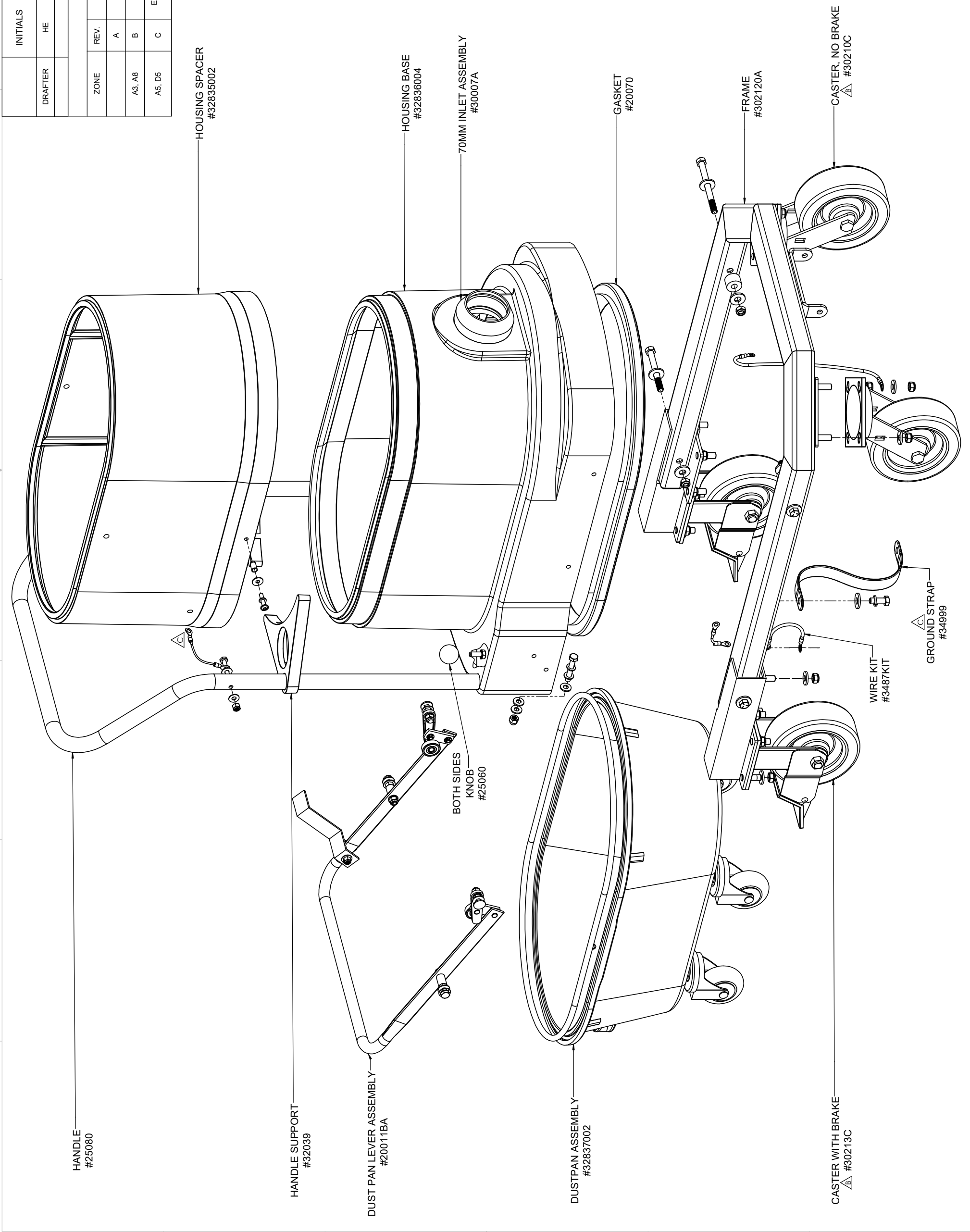


MOTORDECK ASSEMBLY

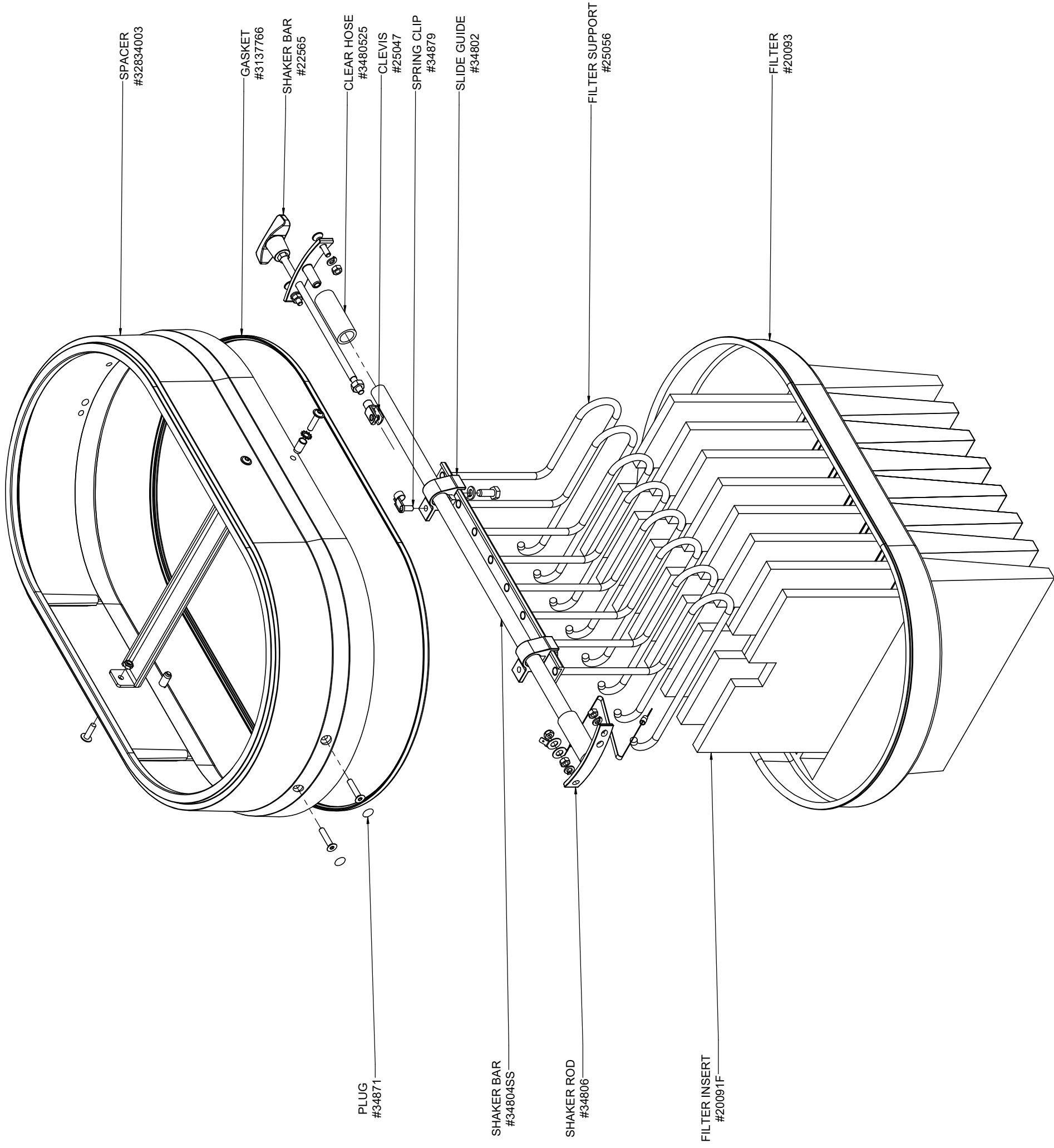
FILTER ASSEMBLY

BASE ASSEMBLY

INITIALS	DATE	PART#/DRAWING#	DESCRIPTION:	
DRAFTER	10/01/2022	BA2110001 160E0003USA	BASE ASM, HD, BA2100, 70MM INLET EX, BLK	
REVISIONS				
ZONE	REV.	DESCRIPTION	DATE	APPROVED
A3, A8	A	RELEASE	9/26/2022	HE
A5, D5	B	ECO 1998: UPDATED NOTES	9/29/2023	RA
	C	ECO 2039: ADDED COMPONENT AND RELOCATED GROUND STRAP	4/9/2024	RA



DRAFTER	INITIALS	DATE	PART#/DRAWING#	DESCRIPTION:
	HE	10/01/2022		
REVISIONS				
ZONE	REV.	DATE	DESCRIPTION	APPROVED
	A	9/26/2022	RELEASE	HE



DRAFTER	INITIALS	DATE	PART#/DRAWING#	DESCRIPTION:
	HE	10/01/2022		
ZONE		REV.	REVISIONS	
	A		DESCRIPTION	DATE
			RELEASE	9/26/2022
				APPROVED
				HE

