

# Ruwac USA Industrial Vacuums

## DS2 Series

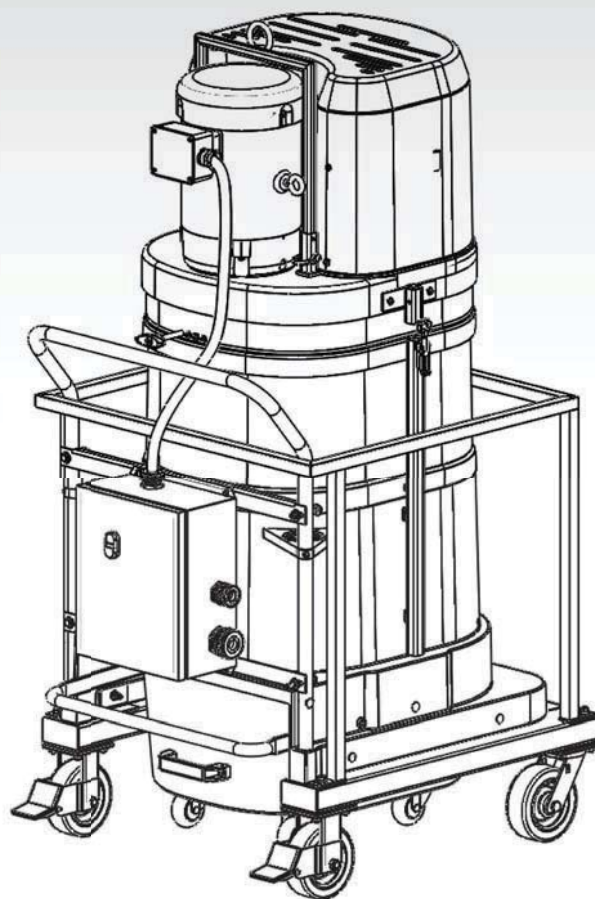
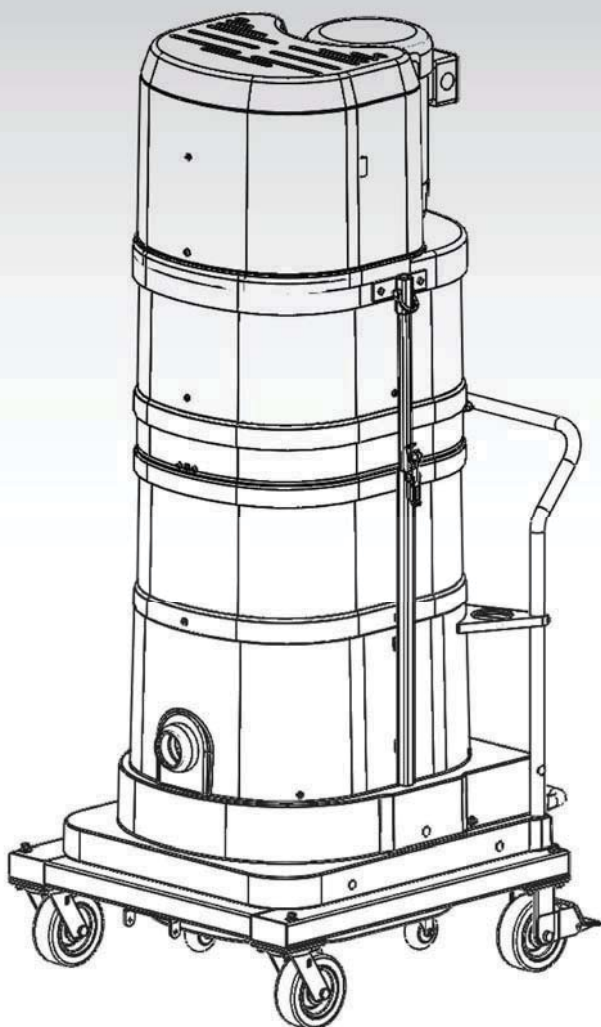
### Parts Manual

Model No.

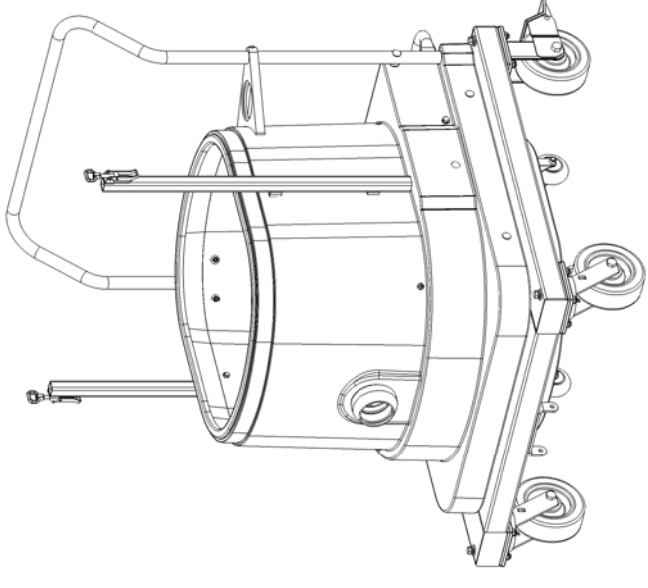
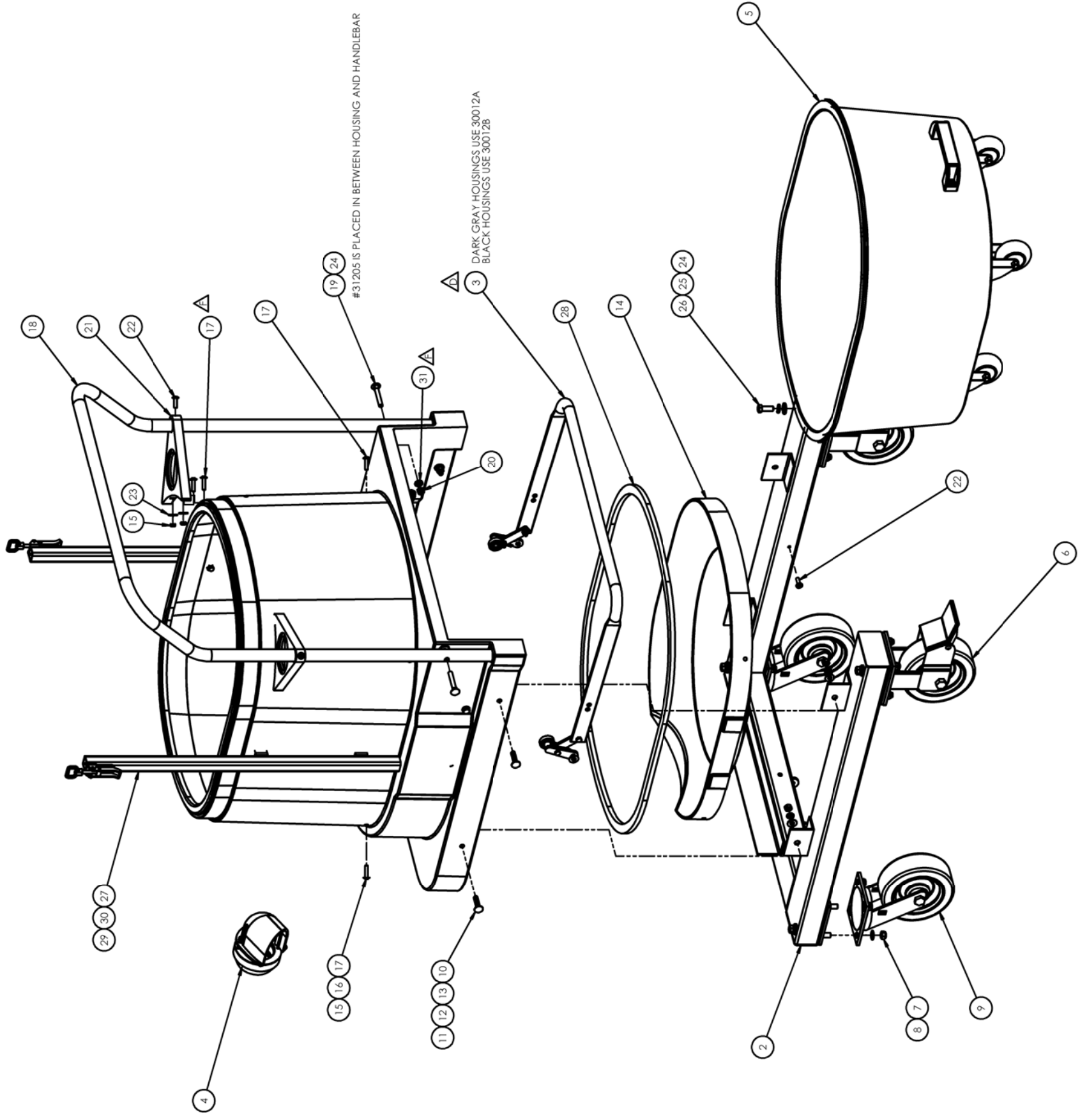
Serial No.

Filter No.

Start-Up Date



Version: 3.2 4/3/24



ITEM NO.	PART NO.	DESCRIPTION	DRAWING NO.	QTY.
1	32887001	LOWER HOUSING, D2 EX, BLK		1
2	60217	D2 CASTER FRAME	990 R 0007 US	1
3	30012B	DUSTPAN LEVER ASM D2 US	990 E 0023 US	1
4	30007AD2	70MM INLET ASM, D2 PORT, ALU		1
5	32890AB	DUSTPAN ASM, D2, NON EX	000 E 0140 US	1
6	30213	CASTER 6IN RIGID WITH BRAKE		2
7	37506	LOCK NUT 3/8-16		16
8	20192	WASHER FLAT M10		16
9	30210	CASTER, 6IN, SWIVEL, NO BRAKE		2
10	25030	CARRIAGE BOLT M8-30, ZINC		4
11	20044	HEX NUT M8, ZINC		4
12	20050	WASHER SPLIT LOCK M8		4
13	34882	WASHER FLAT/THIN M8 ZINC		4
14	32880001	INTERNAL DEFLECTOR, D2, BLK		1
15	34876	M6 LOCK NUT		8
16	25067	WASHER FLAT M6		4
17	3481701	SCREW, SOC BH, FLANGED, M6-25		8
18	30013000	D2 PUSH HANDLE SS		1
19	25063	BOLT, CARRIAGE, 5/16-18 X 2 1/4IN, ZINC		2
20	31202	5/16-18 LOCK NUT		2
21	32889001	SUPPORT FOR D2 EX PUSH HANDLE		2
22	34817	SCREW ILS SOC HD M6 X 20		2
23	34819	WASHER FENDER M6		4
24	31205	FLAT WASHER 5/16		6
25	37501	WASHER LOCK 3/8		4
26	37509	BOLT HEX 3/8-16 X 1"		4
27	60211A	D2 CLAMPING BASE		2
28	32934003	GASKET 3/8 X 3/4 X 90°		1
29	30029	NUT LOCK M8		4
30	20032	WASHER, FENDER, 5/16-1 1/2", ZINC		4
31	25061	M8 FLAT WASHER		2

REV	DATE	APPROVED
D8	8/1/2019	
D8	9/10/2019	
JJF	8/19/2020	

REVISIONS	ZONE	REV.	DESCRIPTION	DATE	APPROVED
	C5	D	ECO 1634- REPLACED DUSTPAN LEVER ASM FOR NEW US HOUSING	8/1/2019	D8
	E		ECO 1648- UPDATED HANDLE BAR SECURING HW	9/10/2019	D8
	C5	F	ECO 1743- UPDATED HARDWARE	8/19/2020	JJF

DESIGNED	DATE	BY	DATE	BY
CHECKED	DATE	BY	DATE	BY
ENGINEER	DATE	BY	DATE	BY
MANAGER	DATE	BY	DATE	BY

SIZE	DWG. NO.	REV
D	990 E 0039 US	F
SCALE: 1:5	WEIGHT:	SHEET 1 OF 1

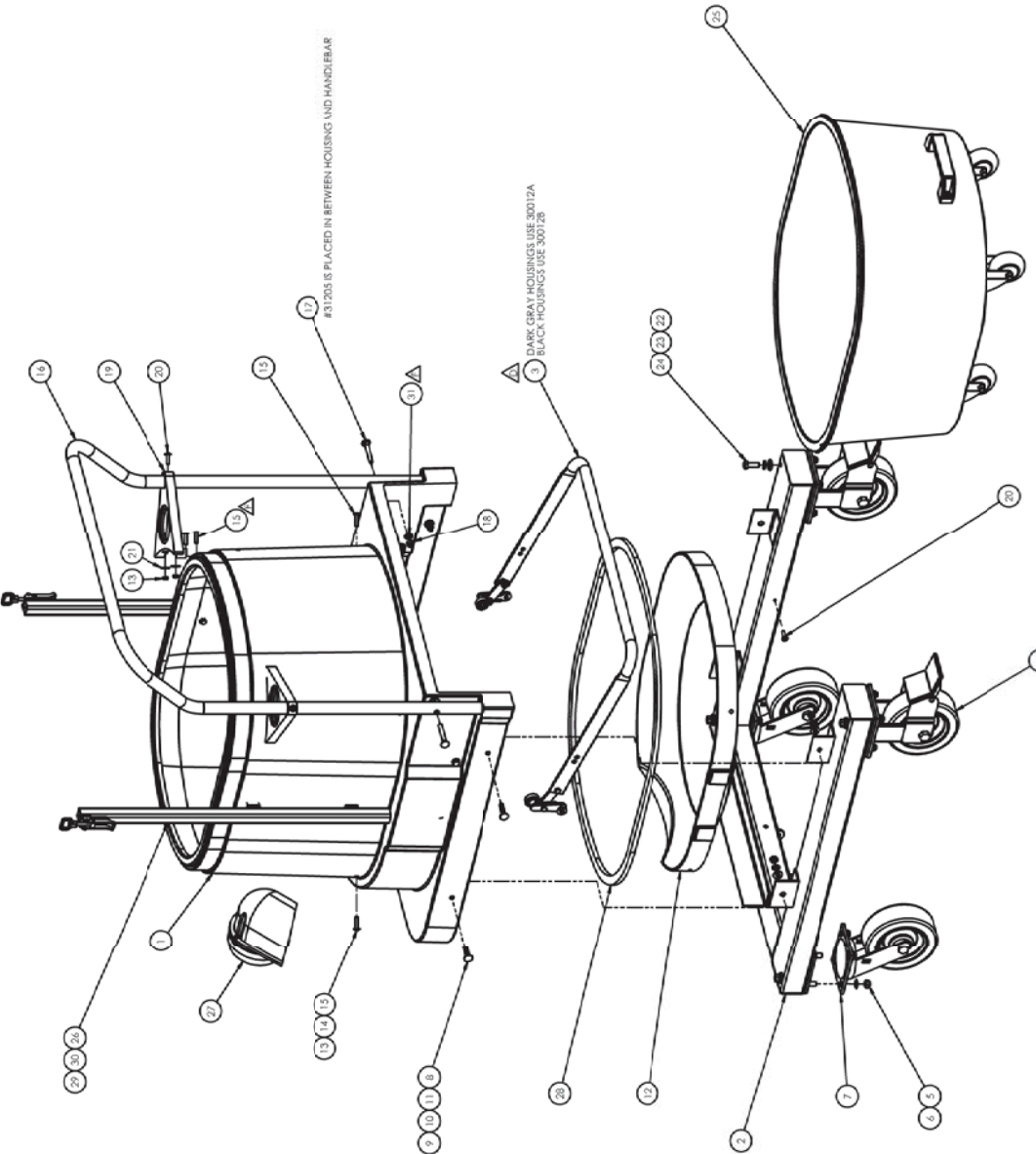
  

PROPERTY AND CONFORMANCE	APPROVED
THIS DRAWING IS THE PROPERTY OF TOWEC. ANY REPRODUCTION OR PARTIAL REPRODUCTION WITHOUT PERMISSION OF TOWEC IS PROHIBITED.	

ZONE	REV.	DESCRIPTION	DATE	APPROVED
C5	D	ECO 1634- REPLACED DUSTPAN LEVER ASM FOR NEW US HOUSING	8/1/2019	D8
E		ECO 1648- UPDATED HANDLE BAR SECURING HW	9/10/2019	D8
C5	F	ECO 1743- UPDATED HARDWARE	8/19/2020	JJF

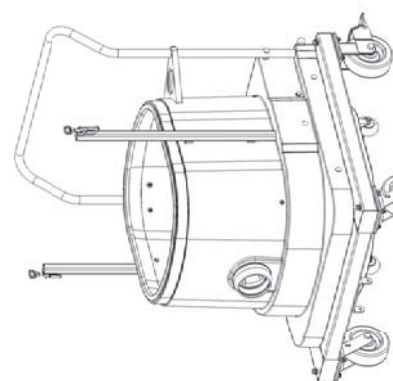
REVISED

REV.	DESCRIPTION	DATE	APPROVED
E	REVISED DISTANCE FROM ASHA FOR NEW WHEELS	8/1/2019	DR
F	REVISED HANDLE BAR DESIGN	1/15/2019	DR
G	REVISED HANDLE BAR DESIGN	8/1/2019	JF



#31205 IS PLACED IN BETWEEN HOUSING AND HANDLER

DARK GRAY HOUSINGS USE 30012A  
BLACK HOUSINGS USE 30012B



ITEM NO.	PART NO.	DESCRIPTION	DRAWING NO.	QTY.
1	32882002	LOWER HOUSING, D2, BLK, 100MM	990 R 0007 US	1
2	40217	D2 DUSTPAN LEVER ASM D2 US	990 E 0023 US	1
3	30012B	DUSTPAN LEVER ASM D2 US		2
4	30213	CASTER (AN RIGID WITH BRAKE)		16
5	37506	LOCK NUT 3/8" X 1/4"		16
6	20192	WASHER FLAT 1/4"		2
7	30210	CASTER, 6RSL SWIVEL, NO BRAKE		4
8	25000	CARRIAGE BOLT M6X30, ZINC		4
9	20044	HEX NUT M6, ZINC		4
10	20050	WASHER FLAT/THIN M6 ZINC		4
11	34852	WASHER FLAT/THIN M8 ZINC		4
12	32880001	INTERNAL DEFLECTOR, D2, BLK		1
13	34876	M6 LOCK NUT		8
14	25057	WASHER FLAT M6		4
15	3481701	SCREW, SOC BH, FLANGED, M6-25		8
16	30013000	D2 PUSH HANDLE SS		1
17	25063	BOLT, CARRIAGE, 5/16 X 1/8 X 2 1/8IN, ZINC		2
18	31202	5/16 X 1/8 LOCK NUT		2
19	32880001	SUPPORT FOR D2 EX PUSH HANDLE		2
20	34817	SCREW US SOC HD M6 X 20		3
21	34819	WASHER FENDER M6		4
22	31205	FLAT WASHER 5/16"		4
23	37501	WASHER LOCK 3/8"		4
24	37509	6SL1 HEX 3/8" X 1"		4
25	32890A8	DUSTPAN ASM, D2, NON EX		1
26	60211A	D2 CLAMPING BASE		2
27	35108A	100MM INLET ASM, ALU		1
28	3750503	GASKET 3/8 X 3/4 X 9/16"		1
29	34817	SCREW US SOC HD M6 X 20		4
30	20052	WASHER FLAT M6		4
31	20051	M6 FLAT WASHER		2

REV.	DESCRIPTION	DATE	APPROVED
D	POWERHOUSE BASE ASM, NON-EX, BLK, 100MM	8/1/2019	DR
E	REVISED HANDLE BAR DESIGN	1/15/2019	DR
F	REVISED HANDLE BAR DESIGN	8/1/2019	JF

SCALE: 1:3	SCALE: 1:3	SCALE: 1:3	SCALE: 1:3
------------	------------	------------	------------

60217A8100	REV	F
------------	-----	---

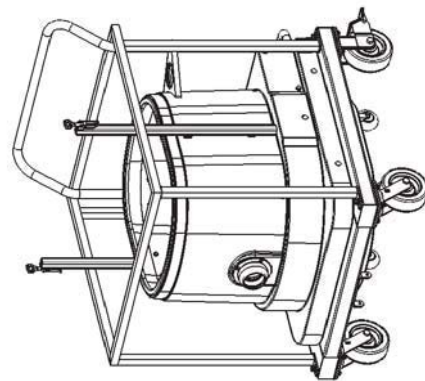
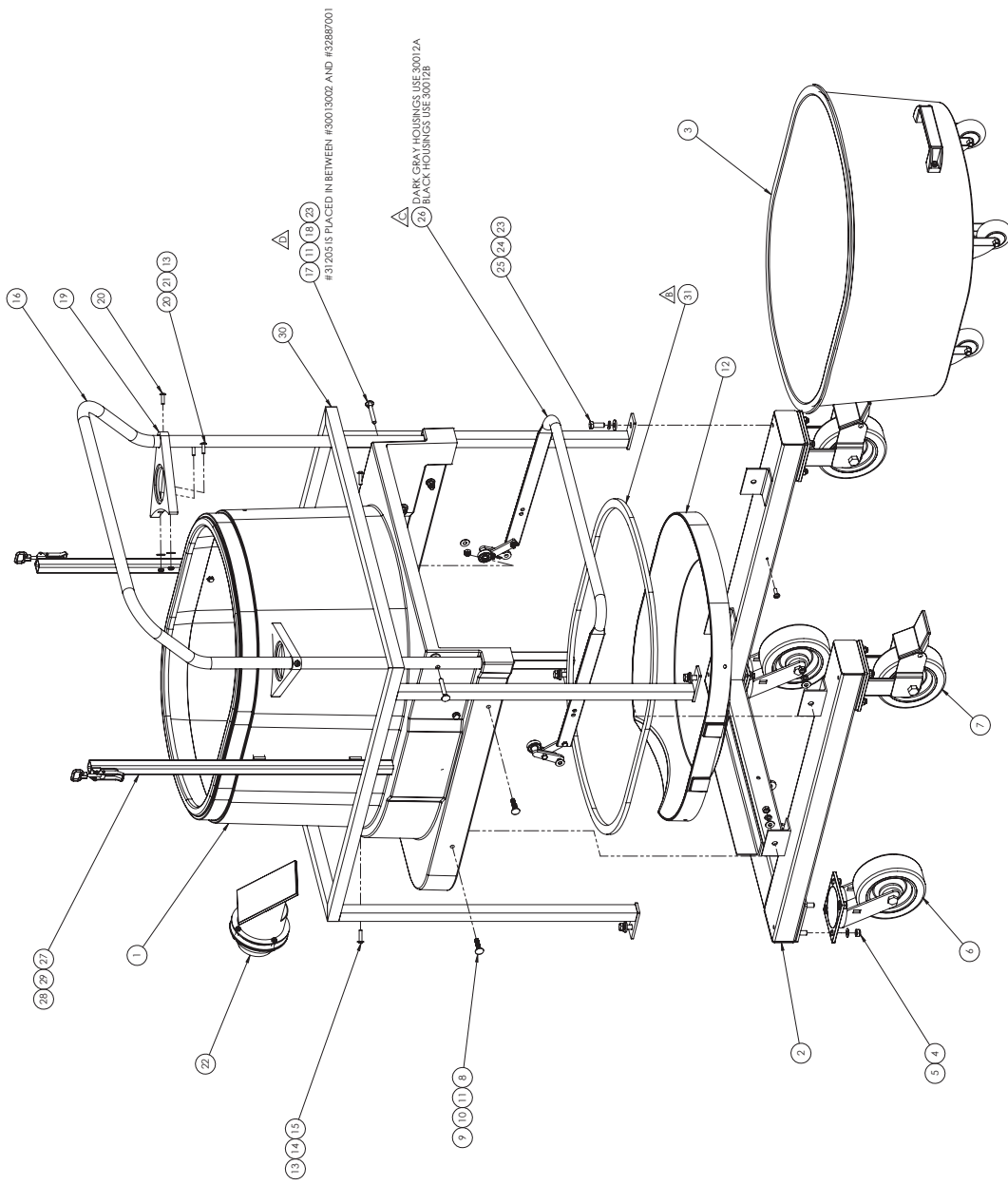
60217A8100	REV	F
------------	-----	---

60217A8100	REV	F
------------	-----	---

60217A8100	REV	F
------------	-----	---

60217A8100	REV	F
------------	-----	---

ZONE	REV.	DESCRIPTION	DATE	APPROVED
A		ECO 1302 CHANGED DUST PAN TO NON-EX	5/5/2017	DJE
B4	B	ECO 1465 UPDATED CARTER 3004	2/13/2018	JIF
C4	C	HPR-ACID DUST PAN LEVER ASSEMBLY 18 HOUSING	6/1/2019	DB
C4	D	ECO 1468 UPDATED HANDLE BAR RECTIFIER 19W	7/10/2019	DB



ITEM NO.	PART NO.	DESCRIPTION	DRAWING NO.	QTY.
1	32887002	LOWER HOUSING, DZ, BLK, 100MM	990-E-0007-US	1
2	60217	DZ CASTER FRAME	990-E-0022-US	1
3	32890A8	DUSTPAN ASM, DZ, NON-EX		1
4	37506	LOCK NUT 3/8-16		16
5	20192	WASHER FLAT M10		16
6	30210	CASTER, 6IN SWIVEL, NO BRAKE		2
7	30213	CASTER 6IN RIGID WITH BRAKE		2
8	25530	CARRIAGE BOLT M8-30, ZINC		4
9	20344	HEX NUT M8, ZINC		4
10	20350	WASHER FLAT LOCK M8		4
11	34882	WASHER FLAT/THIN M8 ZINC		6
12	328860001	INTERNAL DEFLECTOR, DZ, BLK		1
13	34876	M6 LOCK NUT		8
14	25567	WASHER FLAT M6		4
15	3481701	SCREW, SOC, RH, FLANGED, M4-25		4
16	300130000	DZ PUSH HANDLE SS		1
17	25563	BOLT, CARRIAGE, 5/16-18 X 2 1/4IN, ZINC		2
18	31202	5/16-18 LOCK NUT		2
19	328890001	SUPPORT FOR DZ EX PUSH HANDLE		2
20	34817	SCREW US SOC HD M6 X 20		7
21	34819	WASHER FENDER M6		4
22	32959A	HEAVY DUTY INLET, 70MM-100MM		1
23	31205	FLAT WASHER 5/16		4
24	37501	WASHER LOCK 3/8		4
25	37509	BOTH HEX 3/8-16 X 1"		4
26	30012B	DUSTPAN LEVER ASM DZ US	990-E-0023-US	1
27	60211A	DZ CLAMPING BASE		2
28	30029	NUT LOCK M8		4
29	20332	WASHER, FENDER, 5/16-18 X 1 1/2", ZINC		4
30	60207	DZ TIE DOWN FRAME		1
31	327960003	UNIT, EXHAUST, 20" X 34" X 9"		1

REVISIONS	DATE	DESCRIPTION
1	12/10/16	ISSUED FOR PRODUCTION
2		
3		
4		
5		
6		
7		
8		

DESIGNED BY: [ ]	CHECKED BY: [ ]	DATE: [ ]
DRAWN BY: [ ]	APPROVED BY: [ ]	DATE: [ ]
SCALE: 1:5 (WHEELS)		

60217ACONB	DS2 HD BASE ASM, CONTRACTOR
990-E-0040-US	REV D
SA WINTER ST, HOLYOKE, MS, 01040	

REVISIONS

DATE

DESCRIPTION

SCALE: 1:5 (WHEELS)

REV D

990-E-0040-US

SA WINTER ST, HOLYOKE, MS, 01040

60217ACONB

DS2 HD BASE ASM, CONTRACTOR

SHEET 1 OF 1

REVISIONS

DATE

DESCRIPTION

SCALE: 1:5 (WHEELS)

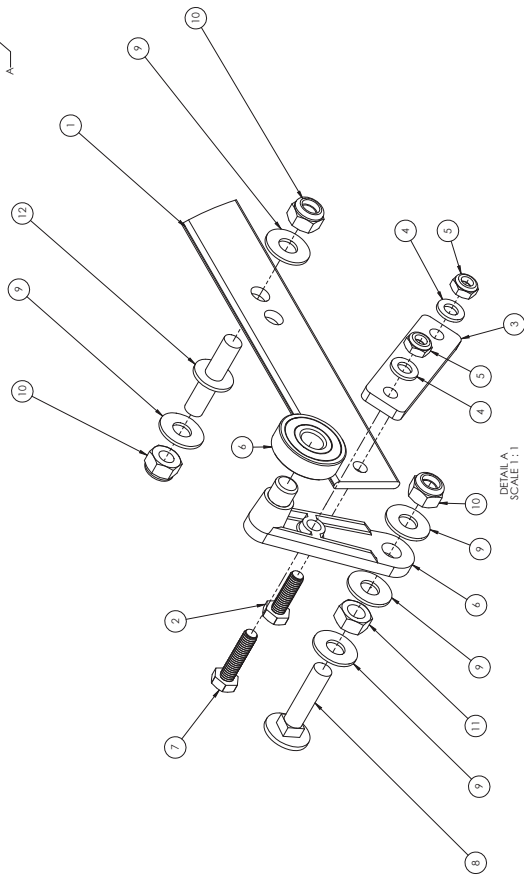
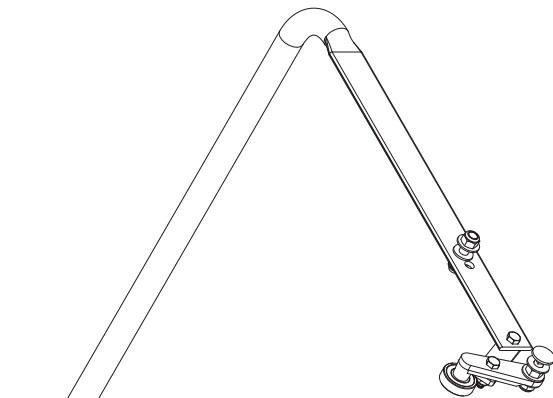
REV D

990-E-0040-US

SA WINTER ST, HOLYOKE, MS, 01040



REV	DATE	DESCRIPTION



DETAIL A  
SCALE 1:1

ITEM NO.	PART NO.	DESCRIPTION	DRAWING NO.	QTY.
1	30012	D2 DUSTPAN FOOT LEVER	000 H.0009 US	1
2	32903	BOLT HEX M6-20 ZINC	000 H.0005 US	2
3	30038	D2 PIVOT PLATE	000 H.0005 US	2
4	25067	WASHER FLAT M6		4
5	34876	M6 LOCK NUT		4
6	30039A	D2 DUSTPAN LEVER BEARING ASM		2
7	34854	BOLT HEX M6-25		2
8	25053	BOLT CARBIDE M8 X 3.5		2
9	34882	WASHER FLAT/THIN M8 ZINC		10
10	30024	BOLT LOCK M8		6
11	30024	HEX LOCK NUT		6
12	3028000	BOLT DOUBLE ENDED M8		2

DATE	3/20/13
DESIGNED BY	34 WinView St Holyoke, MA 01040
CHECKED BY	
DATE	
DESIGNED BY	
CHECKED BY	
DATE	
DESIGNED BY	
CHECKED BY	
DATE	
DESIGNED BY	
CHECKED BY	

PROPERTY AND CONFIDENTIALITY  
THIS DRAWING IS THE PROPERTY OF  
THE COMPANY AND IS NOT TO BE  
REPRODUCED OR TRANSMITTED IN ANY  
FORM OR BY ANY MEANS, ELECTRONIC  
OR MECHANICAL, INCLUDING PHOTOCOPYING,  
RECORDING, OR BY ANY INFORMATION  
STORAGE AND RETRIEVAL SYSTEM,  
WITHOUT PERMISSION IN WRITING FROM  
THE COMPANY.

30012A  
D2 DUSTPAN LEVER ASM  
(GRAY GRAPHIC COLOR HOUSINGS)

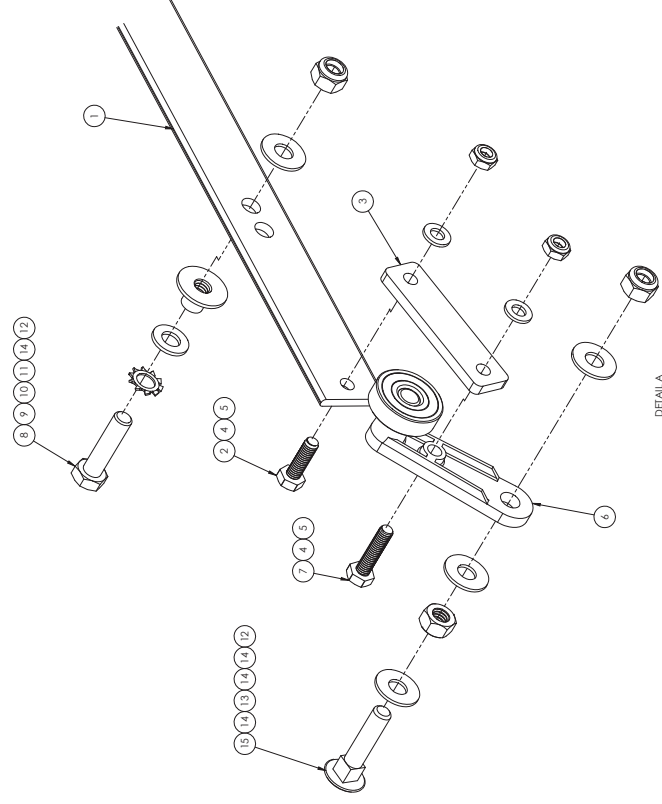
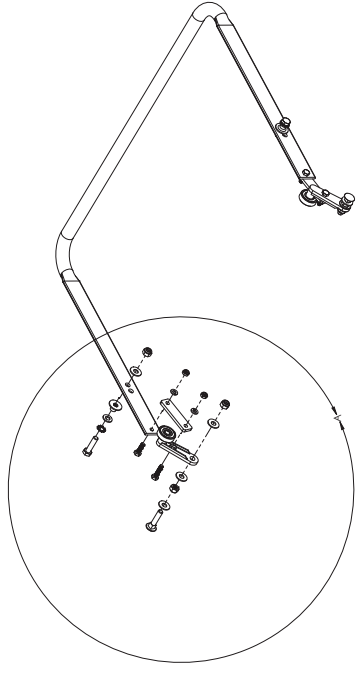
SIZE DWG. NO. 990 E 0023 US  
SCALE: 1X (REG.)

REV C  
SHEET 1 OF 1

REVISIONS		
DATE	DESCRIPTION	APPROVED



NOTES:  
 #31224 (5/16 CARRIAGE BOLT) IS ON THE EXTERIOR OF THE HOUSING AS SHOWN ABOVE  
 #31222 (1/4 HEX LOCK W/ NUT), #35092 (WASHER), #35061 (M6 FLAT WASHER) ARE ON THE EXTERIOR OF THE HOUSING AS SHOWN ABOVE



DETAIL A  
 SCALE 1:1

ITEM NO.	PART NO.	DESCRIPTION	DRAWING NO.	QTY.
1	30012	D2 DUSTPAN FOOT LEVER	000 H 00009 US	1
2	32903	BOLT HEX M6-20, ZINC	000 H 00005 US	2
3	30008	D2 PIVOT PLATE		2
4	25067	WASHER FLAT M6		4
5	34876	M6 LOCK NUT		4
6	30039A	D2 DUSTPAN LEVER/BEARING ASM		2
7	34854	BOLT HEX M6-25		2
8	31222	BOLT HEX 5/16-18X1 1/4"		2
9	25027	WASHER EXT STAR M6ZINC		2
10	25061	M8 FLAT WASHER		2
11	31223	NUT WELD 5/16-18 X .08-.10 STEEL		2
12	31202	NUT HEX 3/16-18 ZINC		4
13	34894	WASHER FLAT M6		8
14	34892	WASHER FLAT M6		8
15	31222	5/16-18 X 1.5M CARRIAGE BOLT		2

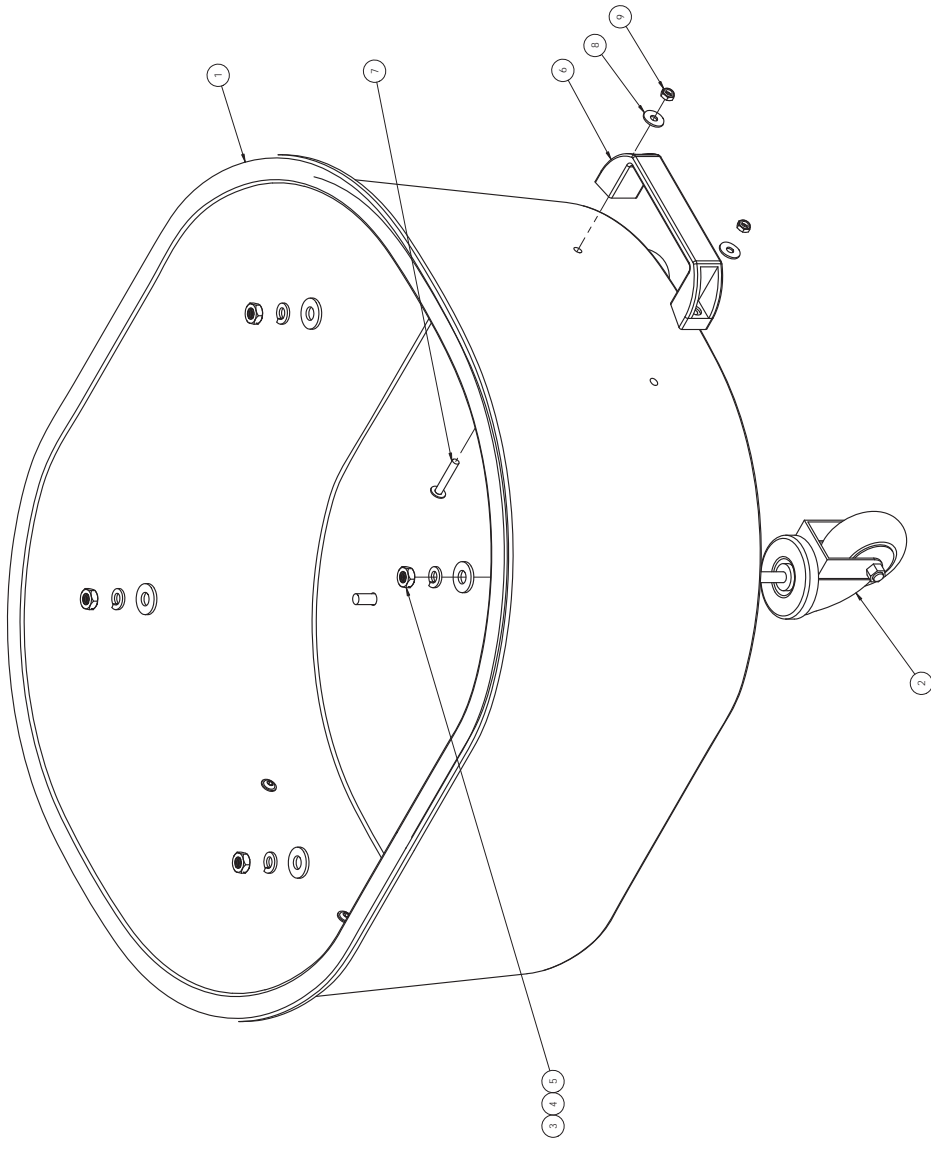
DATE	DATE	DATE	DATE

DRAWING NO. 000 H 00009 US  
 TITLE DUSTPAN LEVER ASM D2 (GLOSSY BLACK COLOR HOUSINGS)  
 SIZE DWG. NO. 990-E 0051 US  
 SCALE: 14 INCHES  
 SHEET 1 OF 1

FOR PARTS AND COMMENTS  
 SEE DRAWING COVERED BY THE  
 DRAWING AND CONTACT THE SALES  
 DEPARTMENT FOR PARTS  
 INFORMATION AND COMMENTS

APPROVED: [Signature]  
 DATE: [Date]  
 30012B

REVISIONS				
ZONE	REV.	DESCRIPTION	DATE	APPROVED
	A	ECC 045	6/5/2006	DJS
	B	ECC 606	11/12/2008	DJS
	C	ECC 1037 UPGRADE CABINS	5/6/2007	DAE
	D	ECC 1042 UPGRADE HARDWARE	11/19/2018	DB
	E	ECC 1141 UPGRADE HARDWARE	8/27/20	JR



ITEM NO.	PART NO.	DESCRIPTION	QTY.
1	32891001	DUST PAN, DZ, BLK	1
2	30108	CASTER, 3IN X 1.25IN, GRAY, TPR	4
3	37927	3/8 TIA WASHER	4
4	37921	WASHER LOCK 3/8	4
5	37529	JAM NUT 3/8-16, ZINC	4
6	2105F-13	HANDLE	2
7	21465	SCREW SOC BR US 306X.55 BLACK OXIDE	4
8	21465	WASHER 306X.55 BLACK OXIDE	4
9	21474	ROLLER 3/4	4

DATE	BY	CHKD	DATE	BY	CHKD

REVISION	DATE	DESCRIPTION

328900AB	328900AB	328900AB
328900AB	328900AB	328900AB

328900AB	328900AB	328900AB
328900AB	328900AB	328900AB

328900AB	328900AB	328900AB
328900AB	328900AB	328900AB

328900AB	328900AB	328900AB
328900AB	328900AB	328900AB

328900AB	328900AB	328900AB
328900AB	328900AB	328900AB

REVISIONS

DATE

DESCRIPTION

APPROVED

DATE

DESCRIPTION

APPROVED

DATE

DESCRIPTION

APPROVED

DATE

DESCRIPTION

APPROVED

DATE

DESCRIPTION

APPROVED

DATE

DESCRIPTION

APPROVED

DATE

DESCRIPTION

APPROVED

DATE

DESCRIPTION

APPROVED

DATE

DESCRIPTION

APPROVED

DATE

DESCRIPTION

APPROVED

DATE

DESCRIPTION

APPROVED

DATE

DESCRIPTION

APPROVED

DATE

DESCRIPTION

APPROVED

DATE

DESCRIPTION

APPROVED

DATE

DESCRIPTION

APPROVED

DATE

DESCRIPTION

APPROVED

DATE

DESCRIPTION

APPROVED

DATE

DESCRIPTION

APPROVED

DATE

DESCRIPTION

APPROVED

DATE

DESCRIPTION

APPROVED

DATE

DESCRIPTION

APPROVED

DATE

DESCRIPTION

APPROVED

DATE

DESCRIPTION

APPROVED

DATE

DESCRIPTION

APPROVED

DATE

DESCRIPTION

APPROVED

DATE

DESCRIPTION

APPROVED

DATE

DESCRIPTION

APPROVED

DATE

DESCRIPTION

APPROVED

DATE

DESCRIPTION

APPROVED

DATE

DESCRIPTION

APPROVED

DATE

DESCRIPTION

APPROVED

DATE

DESCRIPTION

APPROVED

DATE

DESCRIPTION

APPROVED

DATE

DESCRIPTION

APPROVED

DATE

DESCRIPTION

APPROVED

DATE

DESCRIPTION

APPROVED

DATE

DESCRIPTION

APPROVED

DATE

DESCRIPTION

APPROVED

DATE

DESCRIPTION

APPROVED

DATE

DESCRIPTION

APPROVED

DATE

DESCRIPTION

APPROVED

DATE

DESCRIPTION

APPROVED

DATE

DESCRIPTION

APPROVED

DATE

DESCRIPTION

APPROVED

DATE

DESCRIPTION

APPROVED

DATE

DESCRIPTION

APPROVED

DATE

DESCRIPTION

APPROVED

DATE

DESCRIPTION

APPROVED

DATE

DESCRIPTION

APPROVED

DATE

DESCRIPTION

APPROVED

DATE

DESCRIPTION

APPROVED

DATE

DESCRIPTION

APPROVED

DATE

DESCRIPTION

APPROVED

DATE

DESCRIPTION

APPROVED

DATE

DESCRIPTION

APPROVED

DATE

DESCRIPTION

APPROVED

DATE

DESCRIPTION

APPROVED

DATE

DESCRIPTION

APPROVED

DATE

DESCRIPTION

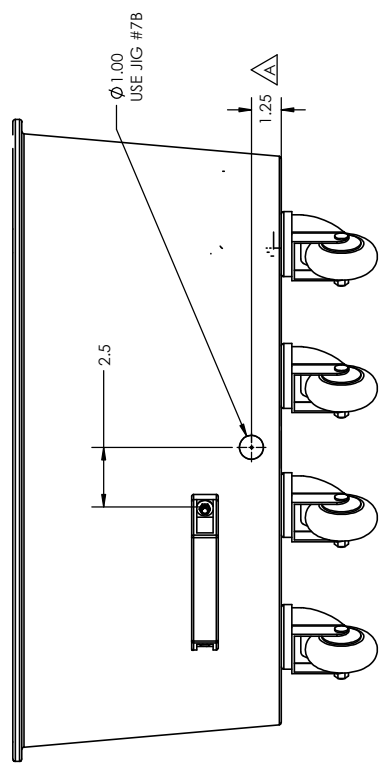
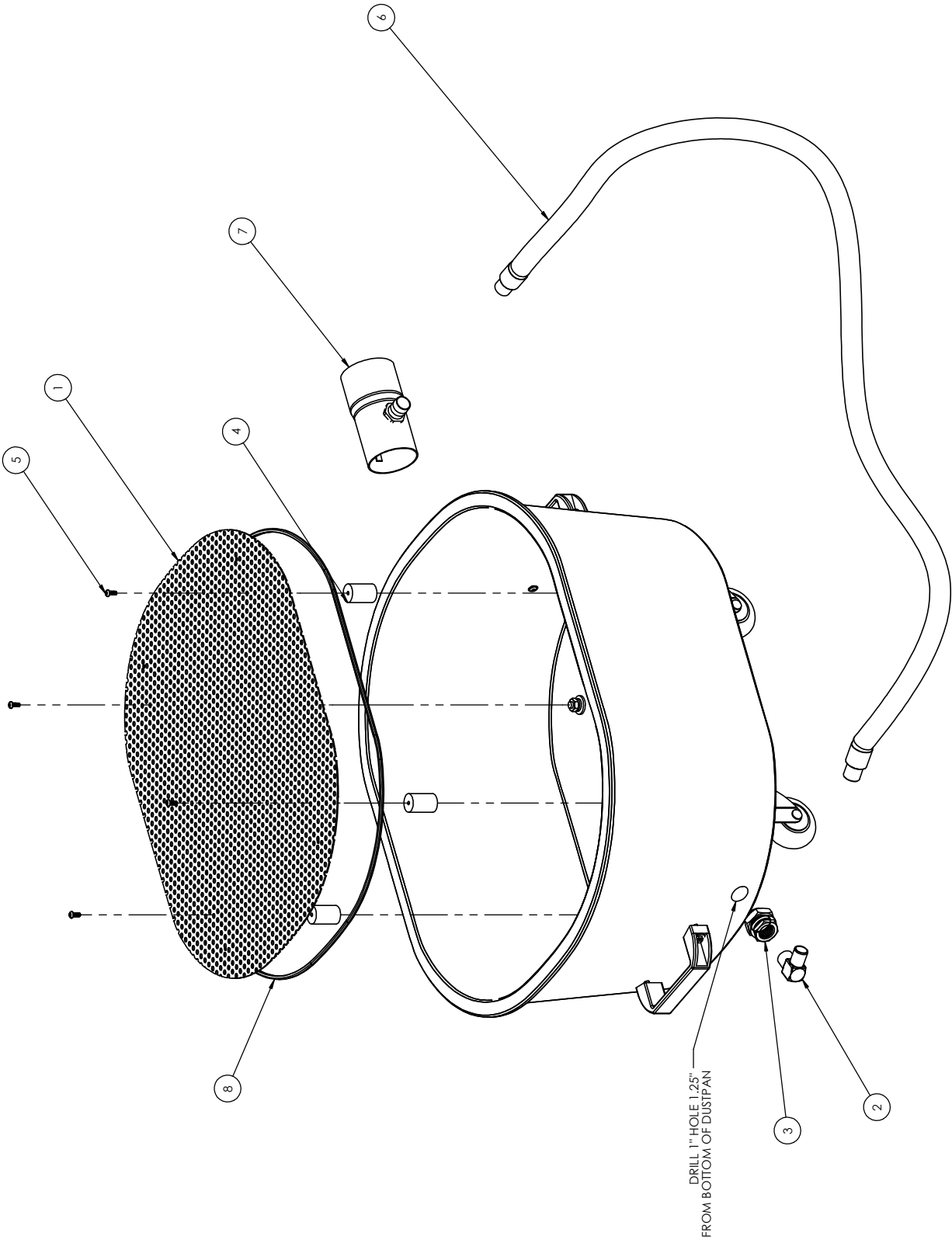
APPROVED

DATE

DESCRIPTION

APPROVED

JIGS AND FIXTURES REFERENCES  
IN HOUSE MANUFACTURING ONLY



REVISIONS				
ZONE	REV.	DESCRIPTION	DATE	APPROVED
C2	A	ECO 1896-UPDATED HOLE DIMENSION, ADDED REQUIRE NOTE FOR JIG #78	6/29/2022	JMP

ITEM NO.	PART NO.	DESCRIPTION	DRAWING NO.	QTY.
1	9620P24	EQUALIZER KIT PAN, D2 PAN		1
2	200640	ELBOW, 90, 1/2"NPT X 3/4" BARB		1
3	31620	BULKHEAD, TXT, 1/2" NPT, BRASS		1
4	200660	SPACER, GREY PVC, D2 DUSTPAN EQ SCREEN		4
5	342360	10-32 SS BUTTON HEAD SCREW		4
6	2065	HOSE, 3/4", PLASTIC CRUSH PROOF, GREY		1
7	70188LD2E	D2 EQ CONNECTION	000 E 0307 US	1
8	31333	GASKET FOR D2 EQ PLATE 75"		1
9	2065B	HOSE CUFF, 3/4", CRUSH-PROOF		2

UNLESS OTHERWISE SPECIFIED:		DATE	54 NUMBER ST.
FRAC TIONAL S I Z E I N I N C H E S	DRAWN	D/E	3/13/17
F R A C T I O N A L 1 / 1 6 "	CHECKED		
T W O P L A C E D E C I M A L	ENG APPR.		
T H R E E P L A C E D E C I M A L	MFG APPR.		
I N T E R I E T G R A M M E T R I C	G.A.		
M A T E R I A L	COMMENTS:		
	SEE BOM		
	FRESH		
NEW ASSY	USED ON		
APPLICATION			

PROPRIETARY AND CONFIDENTIAL  
THIS DRAWING AND ITS CONTENTS IS  
THE PROPERTY OF TOWEC. ANY REPRODUCTION  
OR DISSEMINATION OF THIS DRAWING  
WITHOUT THE WRITTEN PERMISSION OF  
TOWEC IS PROHIBITED.

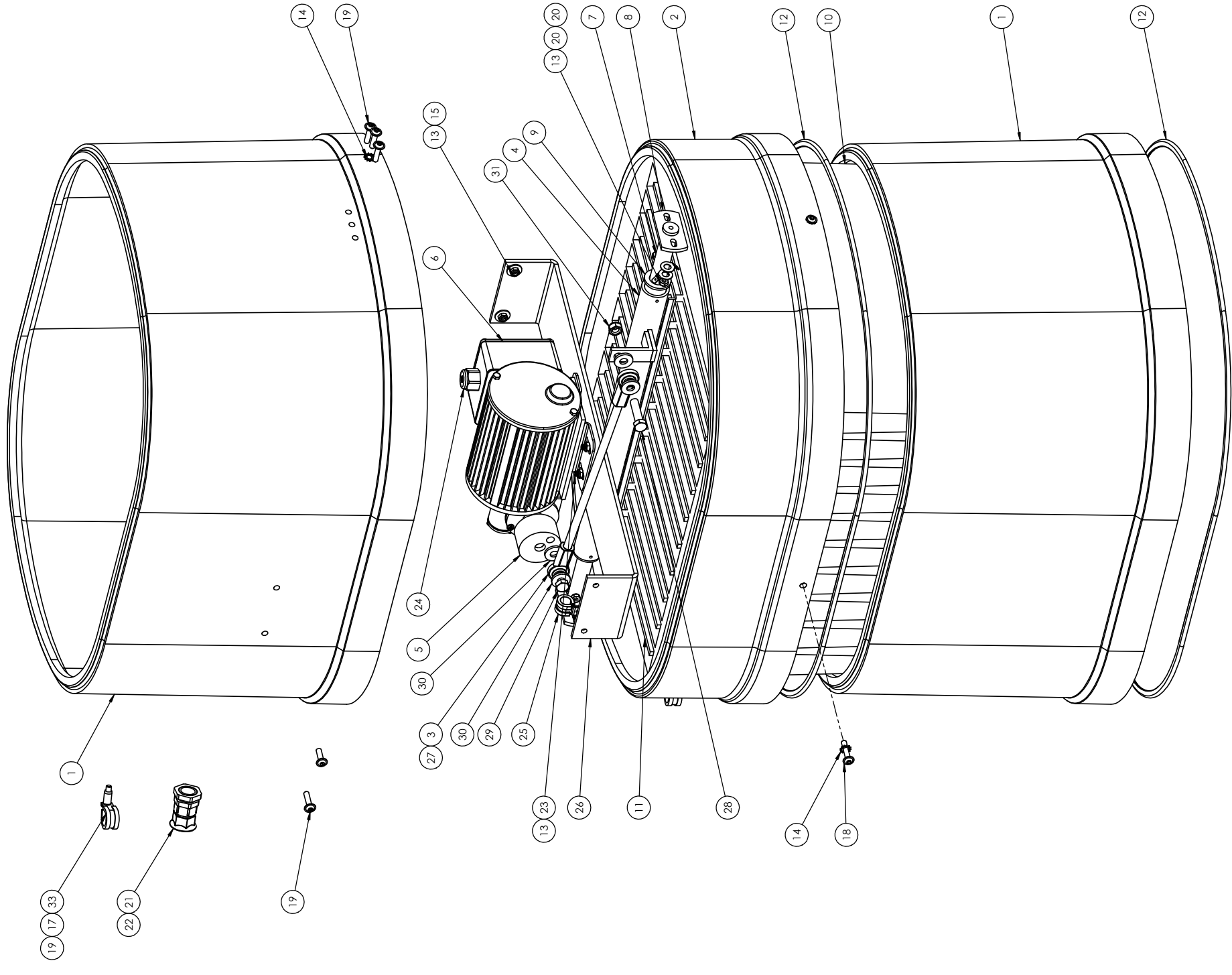
NOTES:  
1. INCLUDE QUANTITY 3 OF 4042, CLAMP, 1.25" DIA, VINYL COATED  
2. INCLUDE QUANTITY 3 OF 32989- #10-16 X 3/8 HEX WASHER TEK ZINC

EQ D2 DPAN TO 70MM INLET  
SIZE DWG. NO. **D**  
REV **A**  
SCALE: 1:8 WEIGHT: 962026



8 7 6 5 4 3 2 1

REVISIONS			
ZONE	REV.	DATE	APPROVED
	-	12/29/15	DJE
ECO 1162-MADE NEW DRAWING			



ITEM NO.	PART NO.	DESCRIPTION	QTY.
1	32885000	DS2 LARGE HOUSING SPACER BLK	2
2	32907000	HOUSING SPACER, D2, SMALL, BLACK	1
3	34610	BALL JOINT, ROD END, FEMALE, 3/8-24	2
4	35141001	FILTER CAGE, 4.5M, DS2, MOTORIZED SHAKER	1
5	22584000	Sheave, Offset for Shaker Motor	1
6	9853C	FILTER SHAKER MOTOR	1
7	21360	SLIDE BAR FOR D2 SHAKER	1
8	21365	D2 FILTER PLATE	2
9	31882000	BUSHING, BRASS, 20X26X30MM	2
10	32970	FILTER, 48 SQ/FT	1
11	32970F	FILTER INSERT, 4.5M	10
12	313778	GASKET, NITRILE SPONGE, 79IN	2
13	34876	M6 LOCK NUT	12
14	25000	WASHER EXT STAR .25IN	6
15	34819	WASHER FENDER M6	4
16	34817	SCREW UL5 SOC HD M6 X 20	3
17	34817A	M6 BLIND PEM	6
18	21464	SCREW M6 X 30 SOC HD, FLANGED	4
19	3481701	SCREW, SOC BH, FLANGED, M6-25	9
20	34998	GROUND CONNECTOR	2
21	34955	CABLE GRIP, PG16, WITH WIRE CLAMP	1
22	34955-1	PG-16 NUT	1
23	32904	BOLT, HEX, M6-16	4
24	EC4132A08	STRAIN RELIEF, .24-.47IN GRIP	1
25	25329	CLAMP, .5IN HOSE, ZINC, CUSHIONED	1
26	9853B	SHAKER MOTOR SUPPORT BRACKET, D2	2
27	90876	THREADED ROD, .375-24, FINE THREAD, 1.1IN	1
28	37537	BOLT, HEX, 3/8-16 X 1 1/2"	1
29	37505	BOLT, HEX, 3/8-16 X 1 1/4"	1
30	31205	FLAT WASHER 5/16	4
31	37506	LOCK NUT 3/8-16	1
32	200010	SCREW SET #10-32 X .25LG ZINC	1
33	27009	CLAMP, 5/8", METAL, W/CUSHION	2

UNLESS OTHERWISE SPECIFIED:  
 DIMENSIONS ARE IN INCHES  
 TOLERANCES:  
 FRACTIONAL ±.015  
 DECIMAL ±.010  
 TWO PLACE DECIMAL ±.012  
 THREE PLACE DECIMAL ±.012

DATE: 8/8/16  
 TITLE: FILTER ASM, MOTORIZED SHAKER, D2

DRAWN: [ ] CHECKED: [ ]  
 ENG APPR: [ ] MFG APPR: [ ]  
 Q.A. [ ]

COMMENT: 9853D2  
 MATERIAL: SEE BOM  
 FINISH: FRESH

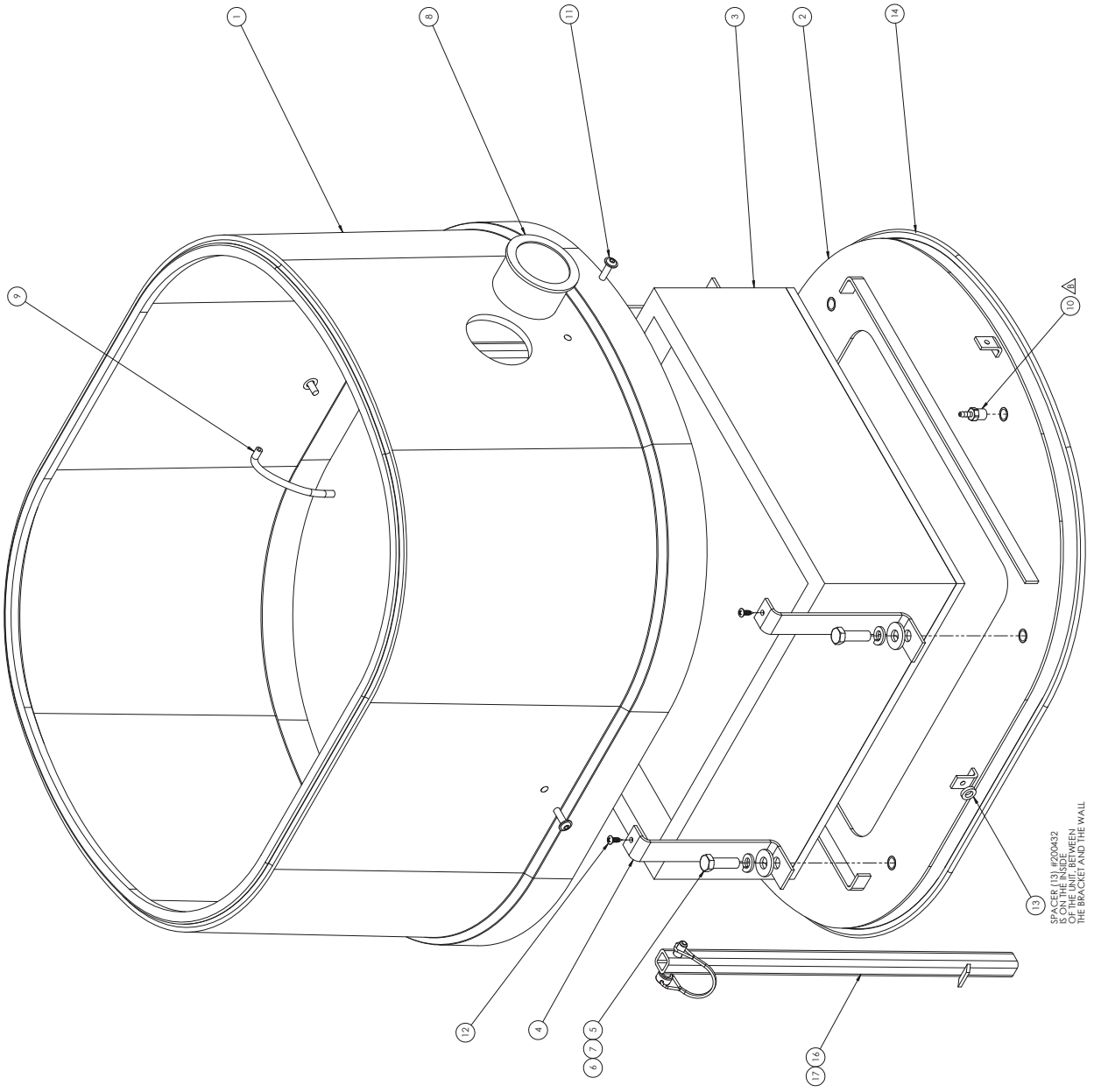
NEW ASSY USED ON APPLICATION

SIZE DWG. NO. 000 E 0306 US  
 REV -  
 SCALE: 1:3 WEIGHT: SHEET 1 OF 1

PROPRIETARY AND CONFIDENTIAL  
 THIS DRAWING AND ALL INFORMATION IS  
 CONTAINED HEREIN IS THE SOLE PROPERTY OF  
 RWAC. ANY REPRODUCTION OR  
 TRANSMISSION OF THIS DRAWING OR  
 INFORMATION CONTAINED HEREIN  
 WITHOUT THE WRITTEN PERMISSION OF RWAC IS PROHIBITED.

F E D C B A

REV.	DESCRIPTION	DATE	APPROVED
A	ECO 975 ADDED MODULE CLAMPS	12/20/2016	DJE
B	ECO 1445 CHANGED 25# RIB RING TO 35#	12/19/2017	DJE



ITEM NO.	PART NO.	DESCRIPTION	DRAWING NO.	QTY.
1	32885002	D2 HEPA HOUSING, LRG, BLK		1
2	34948	HEPA ADAPTER PLATE, D2	990 F 0004 US	1
3	30122	HEPA FILTER, D2		1
4	34950	D2 HEPA HOLD DOWN BRACKET		4
5	37555	BOLT, HEX, 3/8" X 1 1/4"		4
6	37557	3/8" FLAT WASHER		4
7	37501	WASHER LOCK 3/8"		4
8	25143	MINIHELIC, WITH MNTG BRKT 10" WC		1
9	34800	HOSE CLEAR, 1/8" DIA		1
10	31632	HOSE BARB, .725 INPT X .25 BARB		1
11	34817	SCREW PH PHIL BRX .50 ZINC		5
12	22012	NYLON WASHER/SPACER		4
13	200432	GASKET, NYLON SPONGE, 7.9IN		2
14	34876	M6 LOCK NUT		1
15	6021B	D2 CLAMPING RIDDLE SLIDE		2
16	25271	REPAINER		2
17				

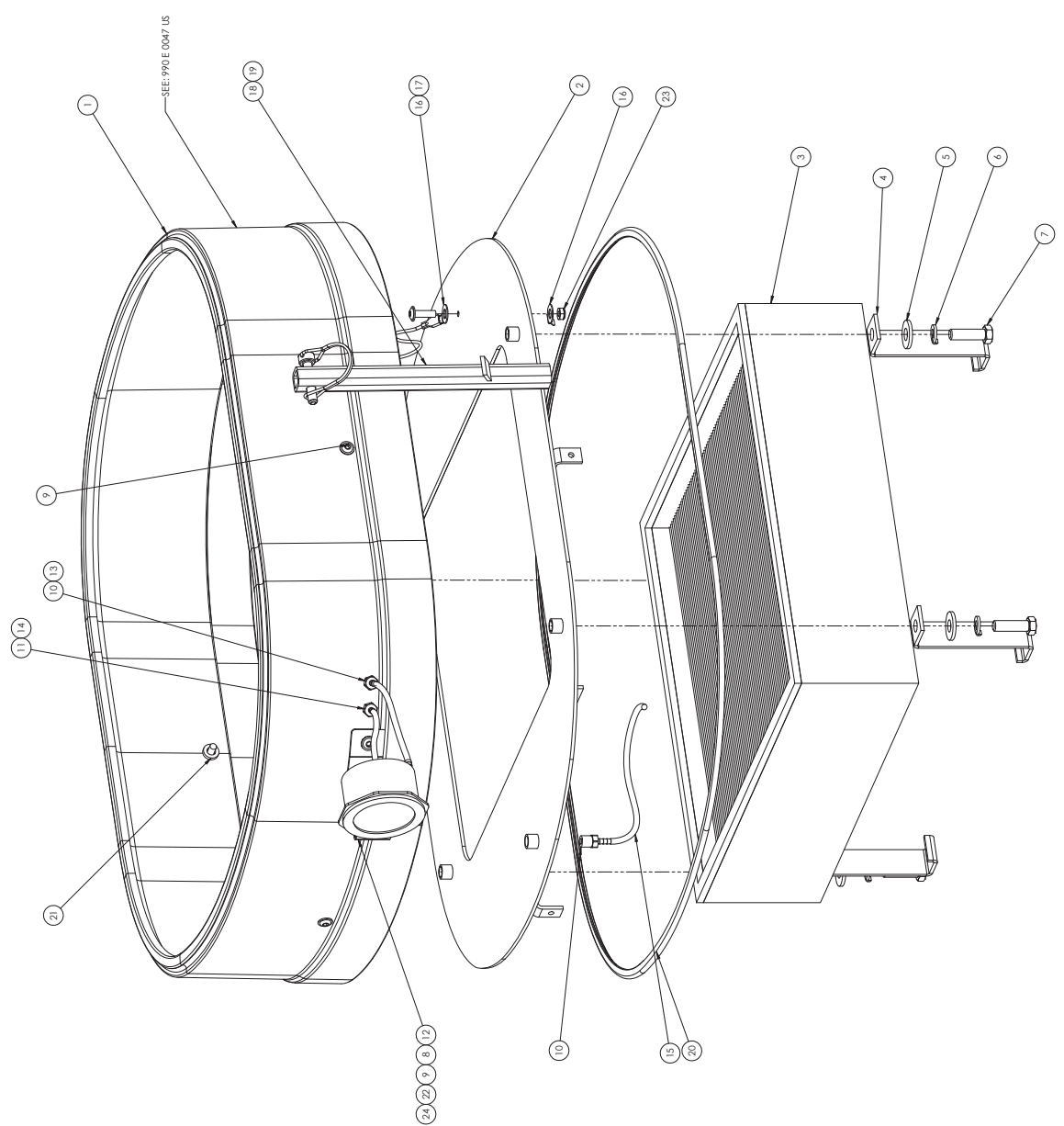
SPACER (13) #200432  
 IS TO BE USED TO SPACER  
 THE UNIT BETWEEN  
 THE BRACKET AND THE WALL

FOR PARTS AND COMMENTS  
 SEE DRAWING CHANGES TO  
 THIS DRAWING. ALL DIMENSIONS  
 ARE IN INCHES UNLESS  
 OTHERWISE SPECIFIED.  
 DIMENSIONS ARE IN INCHES  
 UNLESS OTHERWISE SPECIFIED.  
 DIMENSIONS ARE IN INCHES  
 UNLESS OTHERWISE SPECIFIED.

DATE	BY	CHKD	APP'D	TITLE
12/20/16	DJE			D2 HEPA MODULE

SIZE DWG. NO. **D** 990 E0018 US **B**  
 SCALE: 1:1 WGECH. SHEET 1 OF 1

REVISIONS				
ZONE	REV.	DESCRIPTION	DATE	APPROVED
	A	ECO 1314, BBAOYB, #8-32 XCRW6	8/4/2017	DJE
	B	ECO 1314, BBAOYB, #8-32 XCRW6 PARTS LIST AVAILABLE BY REQUEST AT: <a href="mailto:ECO@3M.COM">ECO@3M.COM</a>	1/7/2017	DJE



ITEM NO.	PART NO.	DESCRIPTION	QTY.
1	32907003	HOUSING SPACER, D2, SMALL BLK, SHORT HEPA	1
2	34948	HEPA ADAPTER PLATE, D2	1
3	30123	HEPA FILTER, SHORT, DS2	1
4	34950	BRACKET, SHORT HEPA, D2	4
5	37507	3/8" FLAT WASHER	4
6	37501	WASHER LOCK 3/8	4
7	37505	BOLT, HEX, 3/8"-16 X 1 1/4"	4
8	25143	MINIHELIC, WITH MOUNTING BKT 10" WC	1
9	34817	SCREW US, SOC, HD M6 X 20	7
10	31632	HOSE BARB, .125 NPT X .25 BARB	2
11	200628	BULKHEAD UNION, 24IN BARB, 3/16-24 THREAD, BRASS	1
12	2514311	MINIHELIC MOUNT, EXTERNAL	1
13	34800	CLEAR HOSE INSTRUMENT CONNECTION, 4.5IN	4.5 IN
14	34800	CLEAR HOSE INSTRUMENT CONNECTION, 3IN	3 IN
15	34800	CLEAR HOSE INSTRUMENT CONNECTION, 9IN	9 IN
16	34998	GROUND CONNECTOR	2
17	6WR016	GROUND CONNECTION, PUSH TERMINALS	1
18	60211E	D2 CLAMPING MIDDLE SLIDE, SHORT HEPA	2
19	252029	RETAINER PIN	2
20	313778	GASKET, NITRILE SPONGE, 79IN	1
21	206452	NITLON WASHER/SPACER	2
22	34817A	W6 BUND HEX	2
23	348076	WASHER LOCK 1/2	1
24	300223AB	WASHER LOCK STAR, 25IN	2

DATE	BY	CHKD	APPV	REV
8/4/2017	DJE			1
1/7/2017	DJE			2

TITLE: SHORT HEPA ASM, D2  
 SIZE: DWG. NO. 000 E 0412 US  
 300223AB  
 SCALE: 1:2, WGECH

IMPORTANT COMMENTS:  
 SEE REMARKS COVERED BY THE  
 DRAWING AND INSTRUCTIONS FOR  
 ASSEMBLY AND TESTING OF THE  
 FILTER ASSEMBLY.  
 PROHIBITED TO REUSE PARTS  
 FROM OTHER FILTERS.  
 PARTS LIST AVAILABLE BY  
 REQUEST AT: [ECO@3M.COM](mailto:ECO@3M.COM)

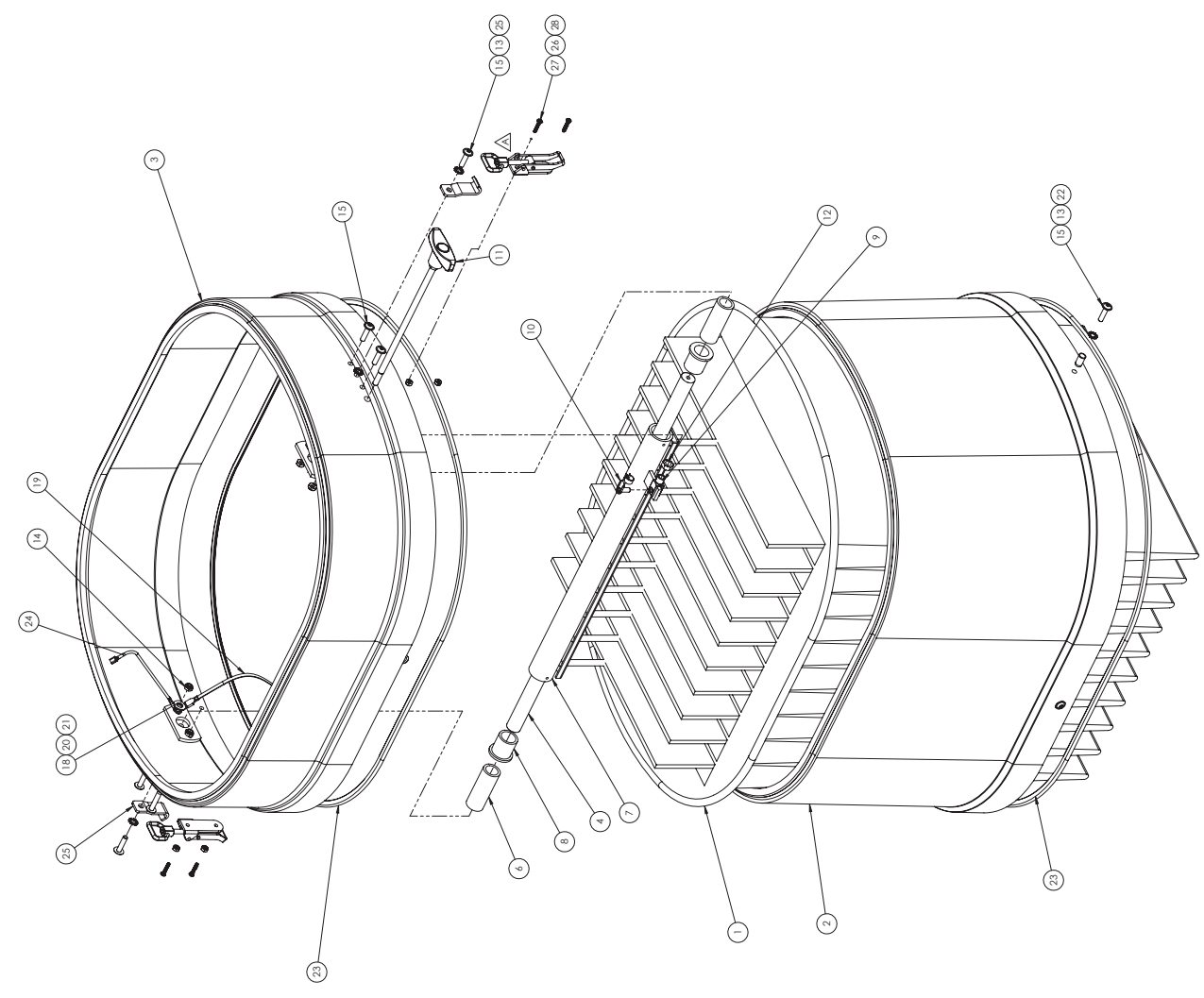
BREAK SHARP EDGES  
 COMMENTS:  
 DRAWING DATE: 8/4/2017  
 DRAWING BY: DJE  
 DRAWING CHECKED BY: DJE  
 DRAWING APPROVED BY: DJE

APPROVED BY: [Signature]  
 DATE: [Date]  
 TITLE: SHORT HEPA ASM, D2

SIZE: DWG. NO. 000 E 0412 US  
 300223AB  
 SCALE: 1:2, WGECH

SHEET 1 OF 1

REVISIONS				
ZONE	REV.	DESCRIPTION	DATE	APPROVED
C4	A	ECO 540- ADDED LATCH HOOKS AND NEEDED HW	1/7/2019	DB



ITEM NO.	PART NO.	DESCRIPTION	QTY.
1	32970	FILTER 48 SQ/FT	1
2	3285001	HOUSING SPACER, D2, LARGE	1
3	3297002	FILTER RING, D2, SMALL	1
4	21360	SLIDE BAR FOR D2 SHAKER	1
5	21365	D2 FILTER PLATE	2
6	3460525	CLEAR HOSE, 3/4" ID, 2 1/2' LONG	2
7	35141000	4.5M FILTER CAGE	1
8	31820000	BUSHING, BRASS, 20X22X30MM	2
9	25047	CLEVIS, 6X12, M8 RHT	1
10	34879	SPRING CLIP FOR CLEVIS YOKE, 6MM X 12MM	1
11	22565	SHAKER BAR W/ SWIVEL HANDLE	1
12	20044	HEX NUT M8, ZINC	1
13	25000	WASHER EXT STAR, 2.5IN	1
14	34876	M6 LOCK NUT	4
15	3481701	SCREW, SOC BH, FLANGED, M6-25	8
16	21464	SCREW M6 X 30, SOC HD, FLANGED	2
17	32970F	FILTER INSERT, 4.5M	10
18	34998	GROUND CONNECTOR	2
19	34906A	GROUND CONNECTION D2, SHAKER TO INLET	1
20	20040	NUT HEX M6	1
21	20039	WASHER LOCK M6	1
22	34817A	M6 BIND PDM	4
23	313778	GASKET, NITRILE SPONGE	2
24	34607A	GROUND CONNECTION D2, SHAKER TO MOTOR DECK	1
25	31408	LATCH HOOK, D2, FILTER RING	2
26	31408	PIN, CLAMP, LEVER, SIDE	2
27	25305B	#6-32 X 1/2" CAPTIVE HEAD SCREW	4
28	2530312	NUT HEX LOCK, #6-32	4

SCALE	DATE	REV	TITLE
1:1	1/7/19		FILTER ASM, 4.5M, D2, BLK

ITEM NO.	DESCRIPTION	QTY.
1	32970AB	1

REV	DESCRIPTION	DATE
A	ECO 540- ADDED LATCH HOOKS AND NEEDED HW	1/7/2019

REV	DESCRIPTION	DATE
A	ECO 540- ADDED LATCH HOOKS AND NEEDED HW	1/7/2019

REV	DESCRIPTION	DATE
A	ECO 540- ADDED LATCH HOOKS AND NEEDED HW	1/7/2019

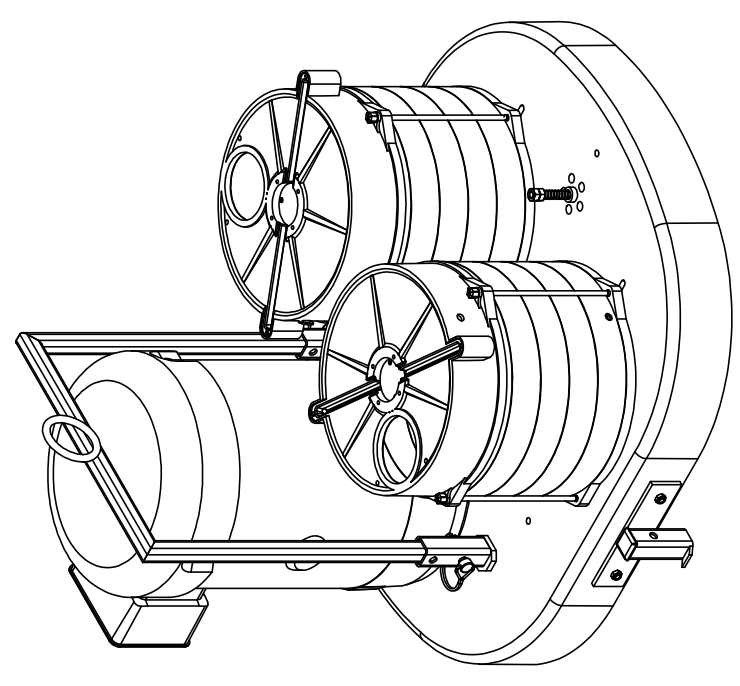
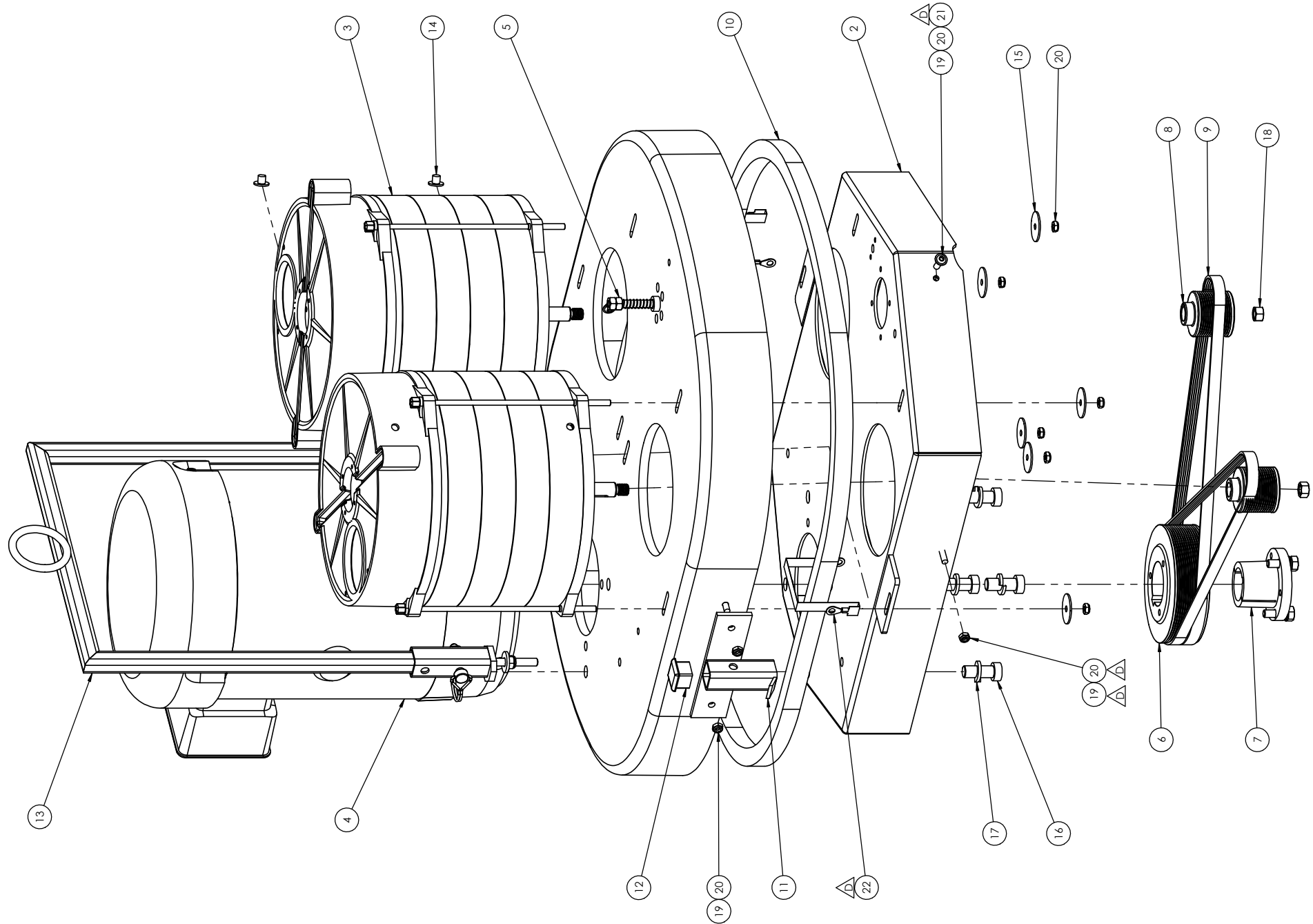
REV	DESCRIPTION	DATE
A	ECO 540- ADDED LATCH HOOKS AND NEEDED HW	1/7/2019

REV	DESCRIPTION	DATE
A	ECO 540- ADDED LATCH HOOKS AND NEEDED HW	1/7/2019

REV	DESCRIPTION	DATE
A	ECO 540- ADDED LATCH HOOKS AND NEEDED HW	1/7/2019

REV	DESCRIPTION	DATE
A	ECO 540- ADDED LATCH HOOKS AND NEEDED HW	1/7/2019

REVISIONS				
ZONE	REV.	DESCRIPTION	DATE	APPROVED
	A	ECO 1397: CHANGED TURBINE HARDWARE TO LOCKNUTS	9/20/2017	DJE
	B	ECO 1406: ADDED 40210 LIFT BAR ASM	10/5/2017	DJE
	C	ECO 1510: REMOVED AND PLACED NEW HW	8/31/2018	DB
A6, B4, B7	D	ECO 1882: DELETED HW, ADDED HW AND ADDED PART	5/19/2022	HE



ITEM NO.	PART NO.	DESCRIPTION	DRAWING NO.	QTY.
1	32871001	DS2 MOTORDECK		1
2	32883000	SUPPORT PLATE, D2 MDECK	990 A 0005 US	1
3	22221	TURBINE, 5 STAGE, 4.0 KW		2
4	25010	MOTOR, 10HP, NON-EX, 3-PHASE		1
5	94960080	RELIEF VALVE ASM, 2"		1
6	32923US	125MM SHEAVE, 14 GROOVE		1
7	3292201US	BUSHING, PI, 1 3/8"		1
8	33058	PULLEY, POLY-V, 14 GROOVE, 48MM DIA		2
9	35015	BELT, 350J, 6 GROOVE, POLY-V		2
10	32935	DS2 MOTORDECK GASKET 78"		1
11	60211C	CLAMP HOOK WELDMENT, MOTOR DECK	990R0036US	2
12	8010	PLASTIC END CAP, 1" SQ		2
13	60210	LIFTING ASSEMBLY, DS2		1
14	22120	PLUG, 8MM, BLK		4
15	20031	WASHER, FENDER, 1/4 X 1 1/4		6
16	32841	BOLT, SOC, 1/2-13 X 1 1/4		4
17	50002	WASHER, LOCK 1/2"		4
18	32827	NUT, HEX, LH, M12, 1 3/4"		2
19	34817	SCREW US SOC HD M6 X 20		7
20	34876	M6 LOCK NUT		13
21	34998	GROUND CONNECTOR		1
22	GWR035	GROUND WIRE ASM, POWERHOUSE MDECKS, CLAMP TO SUPPORT PLATE		2

(UNLESS OTHERWISE SPECIFIED)  
 DIMENSIONS ARE IN INCHES  
 FRACTIONAL 1/16" INCHES  
 TWO PLACE DECIMAL .015  
 THREE PLACE DECIMAL .005  
 DECIMALS  
 MFG APPR.

DRAWN: [ ]  
 CHECKED: [ ]  
 ENG APPR: [ ]  
 MFG APPR: [ ]

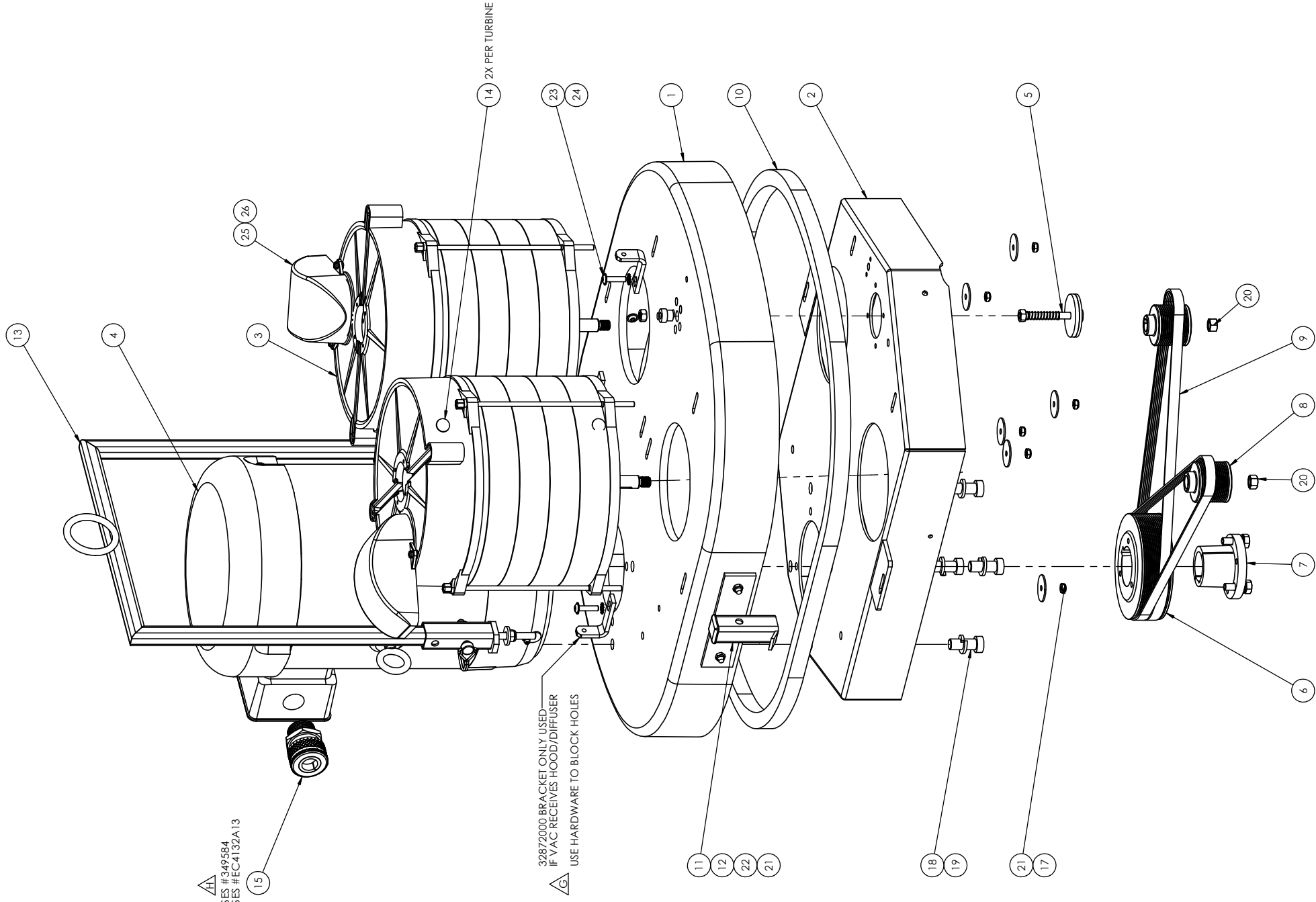
MATERIAL: [ ]  
 COMMENTS: [ ]  
 BREAK SHARP EDGES  
 G.A.

SIZE DWG. NO. [ ]  
 REV [ ]  
 990E0043US [ ]  
 D [ ]  
 SCALE: 1:8 WEIGHT: D [ ]  
 SHEET 1 OF 1

54 WINTER ST.  
 HOYUSK, NGL, 01040  
**ITW**  
**ITW**  
 DATE: 03/17/17  
 D/E: [ ]  
 TITLE: DS2720 MOTORDECK 10HP 230/460V

APPLICATION: [ ]  
 USED ON: [ ]  
 NEW ASSY: [ ]  
 25010AD2B

PROPRIETARY AND CONFIDENTIAL  
 THIS DRAWING AND ITS CONTENTS IS  
 THE PROPERTY OF ITW. NO PART  
 OF THIS DRAWING IS TO BE REPRODUCED  
 OR TRANSMITTED IN ANY FORM OR BY  
 ANY MEANS, ELECTRONIC OR MECHANICAL,  
 INCLUDING PHOTOCOPYING, RECORDING,  
 OR BY ANY INFORMATION STORAGE AND  
 RETRIEVAL SYSTEM, WITHOUT THE  
 PERMISSION OF ITW. THIS IS PROHIBITED.



▲ 230V USES #349584  
460V USES #EC4132A13

▲ 32872000 BRACKET ONLY USED  
IF VAC RECEIVES HOOD/DIFFUSER  
USE HARDWARE TO BLOCK HOLES

REVISIONS				
ZONE	REV.	DESCRIPTION	DATE	APPROVED
	A	ECO 1397: CHANGED TURBINE HARDWARE TO LOCK NUTS	9/20/2017	DJE
	B	ECO 144: CHANGED STRAIN RELIEF	12/12/2017	DJE
	C	ECO 1461: CHANGED STRAIN RELIEF	1/22/2018	JJF
	D	ECO 1487: REMOVED LOCKNUT AND WASHER	6/6/2018	JJF
	E	ECO 1502: UPDATED TURBINE PART NUMBER	8/20/2018	DB
	F	ECO 1598: ROTATED TURBINES, REMOVED PARTS 19, 20, 22, 26. ADDED DFLIE BRKY W/HW	8/28/2018	DB
C7	G	ECO 1727: ADDED ASSEMBLY NOTE	6/1/2020	JJF
D7	H	ECO 1858: UPDATED NOTES	3/31/2022	HE

ITEM NO.	PART NO.	DESCRIPTION	DRAWING NO.	QTY.
1	32871001	DS2 MOTORDECK		1
2	32883000	SUPPORT PLATE, DZ MDECK	990 A 0005 US	1
3	22224	TURBINE 4.0KW 3S/12/48 CON		2
4	25010	MOTOR, 10HP, NON-EX, 3-PHASE		1
5	96960080	RELIEF VALVE ASM, 2"		1
6	32923US	125MM SHEAVE, 14 GROOVE		1
7	3292201US	BUSHING, P1, 1 3/8"		1
8	33058	PULLEY, POLY-V, 14 GROOVE, 48MM DIA		2
9	35015	BELT, 350J, 6 GROOVE, POLY-V		2
10	32935	DS2 MOTORDECK GASKET 78"		1
11	60211C	CLAMP HOOK WELDMENT, MOTOR DECK	990R0036US	2
12	8010	PLASTIC END CAP, 1" SQ		2
13	60210	LIFTING ASSEMBLY, DS2		1
14	22120	PLUG, 8MM, BLK		4
15	EC4132A14	STRAIN RELIEF, .75-.875IN		1
16	EC4132A13	STRAIN RELIEF STEEL 5/8 - 3/4 GRIP		6
17	20031	WASHER, FENDER, 1/4 X 1 1/4		4
18	32841	BOLT, SOC, 1/2-13 X 1 1/4		4
19	50002	WASHER, LOCK 1/2"		4
20	32827	NUT, HEX, LH, M12, 1 3/4"		2
21	34876	M6 LOCK NUT		10
22	34817	SCREW US SOC HD M6 X 20		4
23	3481701	SCREW, SOC BH, FLANGED, M6-25		3
24	25000	WASHER EXT STAR .25IN		3
25	32856	EXHAUST DEFLECTOR, TURBINE		2
26	328685	SCREW #8 X 3/4"		4

UNLESS OTHERWISE SPECIFIED:  
 DIMENSIONS ARE IN INCHES  
 FRACTIONAL 1/16" INCHES  
 TWO PLACE DECIMAL .015  
 THREE PLACE DECIMAL .005  
 DECIMALS  
 G.A.

DATE: 8/28/18  
 DRAWN: DB  
 CHECKED: [Signature]  
 ENG APPR: [Signature]  
 MFG APPR: [Signature]

54 Winter St.  
 Housings, NGL 01040

TITILE:  
 MOTORDECK 10HP 230/460V,  
 3P, 60HZ, CONTRACTOR SERIES

SIZE DWG. NO. REV  
 D 990 E 0044 US H

SCALE: 1:8 WEIGHT: H SHEET 1 OF 1

25010ADZCONB

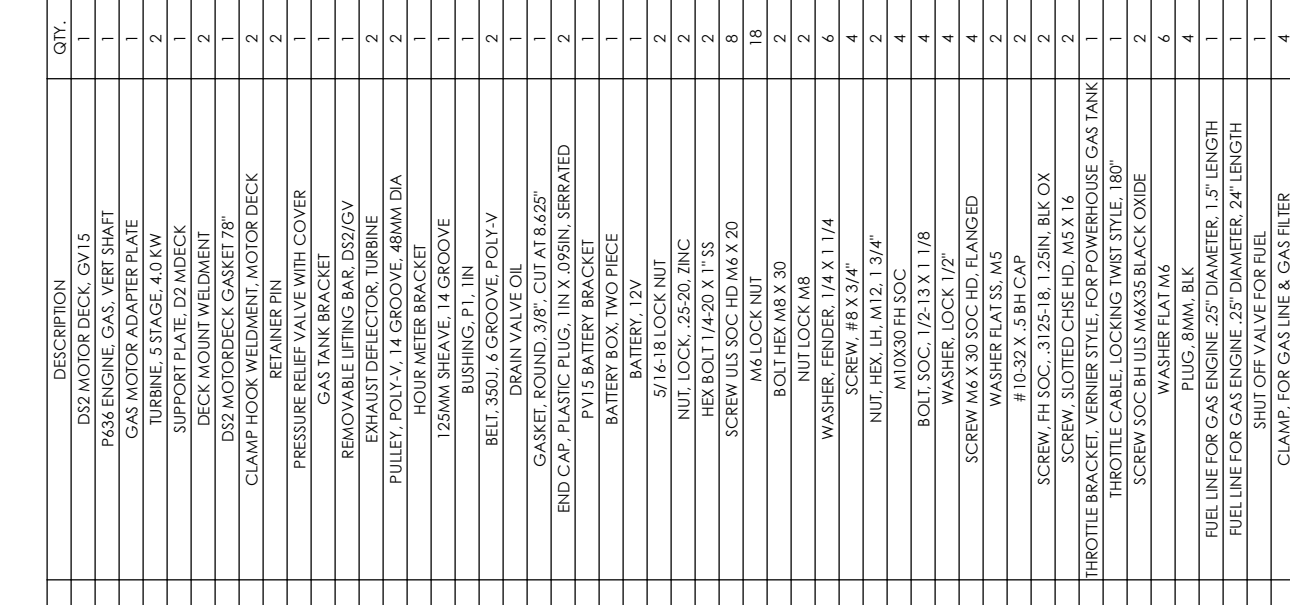
NEW ASSY USED ON APPLICATION

PROPRIETARY AND CONFIDENTIAL  
 THIS DRAWING AND THE INFORMATION IS  
 CONTAINED HEREIN IS THE SOLE PROPERTY OF  
 TOWEC. ANY REPRODUCTION OR  
 TRANSMISSION OF THIS DRAWING WITHOUT THE  
 PERMISSION OF TOWEC IS PROHIBITED.



ZONE	REV.	DESCRIPTION	DATE	APPROVED
A	ECO 1397: CHANGED TURBINE HARDWARE TO LOCK NUTS	9/20/2017	DJE	
B	ECO 1408: UPDATED HARDWARE	10/6/2017	DJE	
C	ECO 1456: ADDED NEW HARDWARE TO MOUNT TURBINE EXHAUST DEFLECTORS	1/4/2018	JJF	
D	ECO 1738: RELIEF VALVE (102201A2) REPLACED WITH 102201A	7/27/2020	JJF	
E	ECO 1772: NEW THROTTLE EQUIPPED	1/21/2021	JJF	
F	ECO 1821: UPDATED NOTES	10/27/2021	HE	
G	ECO 1951: UPDATED HARDWARE; ADDED FUEL LINE PARTS; UPDATED PRESSURE RELIEF VALVE; ADDED NOISE	7/15/2022	JMP	

ITEM NO.	PART NO.	DESCRIPTION	QTY.
1	32871004	DS2 MOTOR DECK, GV15	1
2	25013	P636 ENGINE, GAS, VERT SHAFT	1
3	3181202	GAS MOTOR ADAPTER PLATE	1
4	22221	TURBINE, 5 STAGE, 4.0 KW	2
5	32883000	SUPPORT PLATE, D2 MDECK	1
6	60210C	DECK MOUNT WELDMENT	2
7	329235	DS2 MOTORDECK GASKET 78"	1
8	60211C	CLAMP HOOK WELDMENT, MOTOR DECK	2
9	25029	RETAINER PIN	2
10	1002201A5	PRESSURE RELIEF VALVE WITH COVER	1
11	2501309P	GAS TANK BRACKET	1
12	60210D	REMOVABLE LIFTING BAR, DS2/GV	1
13	32856	EXHAUST DEFLECTOR, TURBINE	2
14	33058	PULLEY, POLY-V, 14 GROOVE, 48MM DIA	2
15	2501309J2	HOURLY METER BRACKET	1
16	32923US	125MM SHEAVE, 14 GROOVE	1
17	330501	BUSHING, PT, 1IN	1
18	35015	BELT, 350J, 6 GROOVE, POLY-V	2
19	97061	DRAIN VALVE OIL	1
20	2509801	GASKET, ROUND, 3/8", CUT AT 8.625"	1
21	8010	END CAP, PLASTIC PLUG, 1IN X .095IN, SERRATED	2
22	602355	PV15 BATTERY BRACKET	1
23	60231201	BATTERY BOX, TWO PIECE	1
24	25013001	BATTERY, 12V	1
25	31202	5/16-18 LOCK NUT	2
26	250025	NUT, LOCK, 25-20, ZINC	2
27	2500535	HEX BOLT 1/4-20 X 1" SS	2
28	34817	SCREW UIS SOC HD M6 X 20	8
29	34876	M6 LOCK NUT	18
30	25031	BOLT HEX M8 X 30	2
31	30029	NUT LOCK M8	2
32	20031	WASHER, FENDER, 1/4 X 1 1/4	6
33	328685	SCREW, #8 X 3/4"	4
34	32827	NUT, HEX, LH, M12, 1 3/4"	2
35	215561	M10X30 FH SOC	4
36	32842	BOLT, SOC, 1/2-13 X 1 1/8	4
37	50002	WASHER, LOCK, 1/2"	4
38	21464	SCREW M6 X 30 SOC HD, FLANGED	4
39	328669	WASHER FLAT SS, M5	2
40	329958	#10-32 X .5 BH CAP	2
41	31220	SCREW, FH SOC, .3125-18, 1.25IN, BLK OX	2
42	328684	SCREW, SLOTTED CHSE HD, M5 X 16	2
43	2501309X	THROTTLE BRACKET, VERNIER STYLE, FOR POWERHOUSE GAS TANK	1
44	2501309S	THROTTLE CABLE, LOCKING TWIST STYLE, 180"	1
45	21465	SCREW SOC BH UIS M6X35 BLACK OXIDE	2
46	25067	WASHER FLAT M6	6
47	22120	PLUG, 8MM, BLK	4
48	25013A	FUEL LINE FOR GAS ENGINE, 25" DIAMETER, 1.5" LENGTH	1
49	25013A	FUEL LINE FOR GAS ENGINE, 25" DIAMETER, 24" LENGTH	1
50	25013F	SHUT OFF VALVE FOR FUEL	1
51	2501309C	CLAMP, FOR GAS LINE & GAS FILTER	4



NAME	DATE	SCALE
JJF	1/6/14	1:1

DRAWN: JJF  
 CHECKED: [ ]  
 FRACTIONAL SIZE IN INCHES  
 FRACTIONAL SIZE IN METRIC  
 TWO PLACE DECIMAL  
 THREE PLACE DECIMAL  
 ENG APPR. [ ]  
 MFG APPR. [ ]  
 COMMENTS: [ ]  
 INTERFERING PARTS: [ ]  
 MATERIAL: [ ]  
 FINISH: [ ]  
 USED ON: [ ]  
 NEW ASSY: [ ]  
 APPLICATION: [ ]

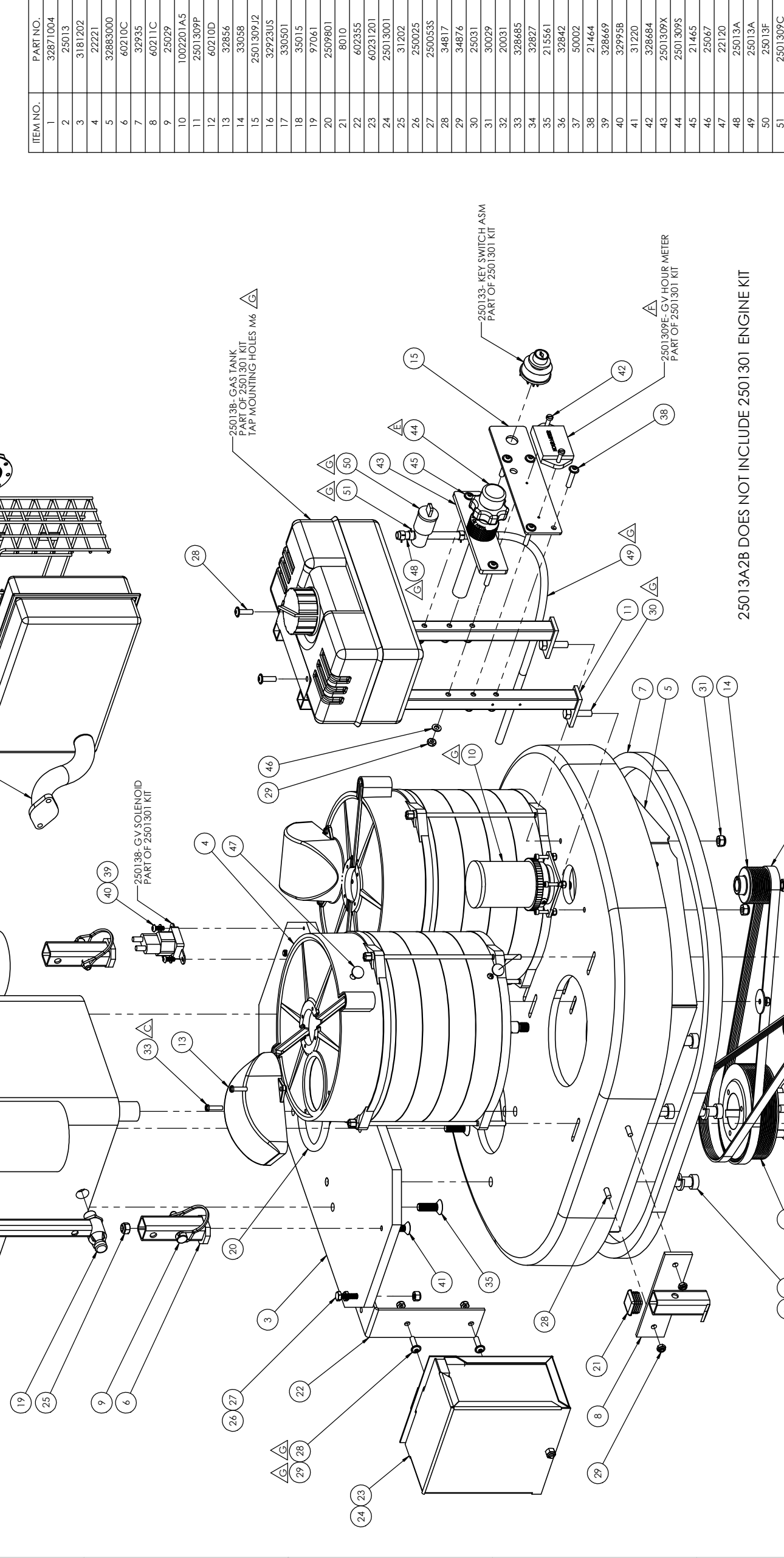
UNLESS OTHERWISE SPECIFIED:  
 DIMENSIONS ARE IN INCHES  
 TOLERANCES: FRACTIONAL SIZE IN INCHES  
 FRACTIONAL SIZE IN METRIC  
 TWO PLACE DECIMAL  
 THREE PLACE DECIMAL  
 ENG APPR. [ ]  
 MFG APPR. [ ]  
 COMMENTS: [ ]  
 INTERFERING PARTS: [ ]  
 MATERIAL: [ ]  
 FINISH: [ ]  
 USED ON: [ ]  
 NEW ASSY: [ ]  
 APPLICATION: [ ]

54 Winter St.  
 Proysok, N.J. 01040  
**ITW**  
**ITW**  
 P.636 MOTOR DECK

SIZE DWG. NO. **D** 990E0029US  
 REV **G**  
 25013A1B, 25013A2B  
 SCALE: 1:1 WEIGHT: [ ] SHEET 1 OF 1

ZONE	REV.	DESCRIPTION	DATE	APPROVED
A	ECO 1397: CHANGED TURBINE HARDWARE TO LOCK NUTS	9/20/2017	DJE	
B	ECO 1408: UPDATED HARDWARE	10/6/2017	DJE	
C	ECO 1456: ADDED NEW HARDWARE TO MOUNT TURBINE EXHAUST DEFLECTORS	1/4/2018	JJF	
D	ECO 1738: RELIEF VALVE (102201A2) REPLACED WITH 102201A	7/27/2020	JJF	
E	ECO 1772: NEW THROTTLE EQUIPPED	1/21/2021	JJF	
F	ECO 1821: UPDATED NOTES	10/27/2021	HE	
G	ECO 1951: UPDATED HARDWARE; ADDED FUEL LINE PARTS; UPDATED PRESSURE RELIEF VALVE; ADDED NOISE	7/15/2022	JMP	

ITEM NO.	PART NO.	DESCRIPTION	QTY.
1	32871004	DS2 MOTOR DECK, GV15	1
2	25013	P636 ENGINE, GAS, VERT SHAFT	1
3	3181202	GAS MOTOR ADAPTER PLATE	1
4	22221	TURBINE, 5 STAGE, 4.0 KW	2
5	32883000	SUPPORT PLATE, D2 MDECK	1
6	60210C	DECK MOUNT WELDMENT	2
7	329235	DS2 MOTORDECK GASKET 78"	1
8	60211C	CLAMP HOOK WELDMENT, MOTOR DECK	2
9	25029	RETAINER PIN	2
10	1002201A5	PRESSURE RELIEF VALVE WITH COVER	1
11	2501309P	GAS TANK BRACKET	1
12	60210D	REMOVABLE LIFTING BAR, DS2/GV	1
13	32856	EXHAUST DEFLECTOR, TURBINE	2
14	33058	PULLEY, POLY-V, 14 GROOVE, 48MM DIA	2
15	2501309J2	HOURLY METER BRACKET	1
16	32923US	125MM SHEAVE, 14 GROOVE	1
17	330501	BUSHING, PT, 1IN	1
18	35015	BELT, 350J, 6 GROOVE, POLY-V	2
19	97061	DRAIN VALVE OIL	1
20	2509801	GASKET, ROUND, 3/8", CUT AT 8.625"	1
21	8010	END CAP, PLASTIC PLUG, 1IN X .095IN, SERRATED	2
22	602355	PV15 BATTERY BRACKET	1
23	60231201	BATTERY BOX, TWO PIECE	1
24	25013001	BATTERY, 12V	1
25	31202	5/16-18 LOCK NUT	2
26	250025	NUT, LOCK, 25-20, ZINC	2
27	2500535	HEX BOLT 1/4-20 X 1" SS	2
28	34817	SCREW UIS SOC HD M6 X 20	8
29	34876	M6 LOCK NUT	18
30	25031	BOLT HEX M8 X 30	2
31	30029	NUT LOCK M8	2
32	20031	WASHER, FENDER, 1/4 X 1 1/4	6
33	328685	SCREW, #8 X 3/4"	4
34	32827	NUT, HEX, LH, M12, 1 3/4"	2
35	215561	M10X30 FH SOC	4
36	32842	BOLT, SOC, 1/2-13 X 1 1/8	4
37	50002	WASHER, LOCK, 1/2"	4
38	21464	SCREW M6 X 30 SOC HD, FLANGED	4
39	328669	WASHER FLAT SS, M5	2
40	329958	#10-32 X .5 BH CAP	2
41	31220	SCREW, FH SOC, .3125-18, 1.25IN, BLK OX	2
42	328684	SCREW, SLOTTED CHSE HD, M5 X 16	2
43	2501309X	THROTTLE BRACKET, VERNIER STYLE, FOR POWERHOUSE GAS TANK	1
44	2501309S	THROTTLE CABLE, LOCKING TWIST STYLE, 180"	1
45	21465	SCREW SOC BH UIS M6X35 BLACK OXIDE	2
46	25067	WASHER FLAT M6	6
47	22120	PLUG, 8MM, BLK	4
48	25013A	FUEL LINE FOR GAS ENGINE, 25" DIAMETER, 1.5" LENGTH	1
49	25013A	FUEL LINE FOR GAS ENGINE, 25" DIAMETER, 24" LENGTH	1
50	25013F	SHUT OFF VALVE FOR FUEL	1
51	2501309C	CLAMP, FOR GAS LINE & GAS FILTER	4



NAME	DATE	SCALE
JJF	1/6/14	1:1

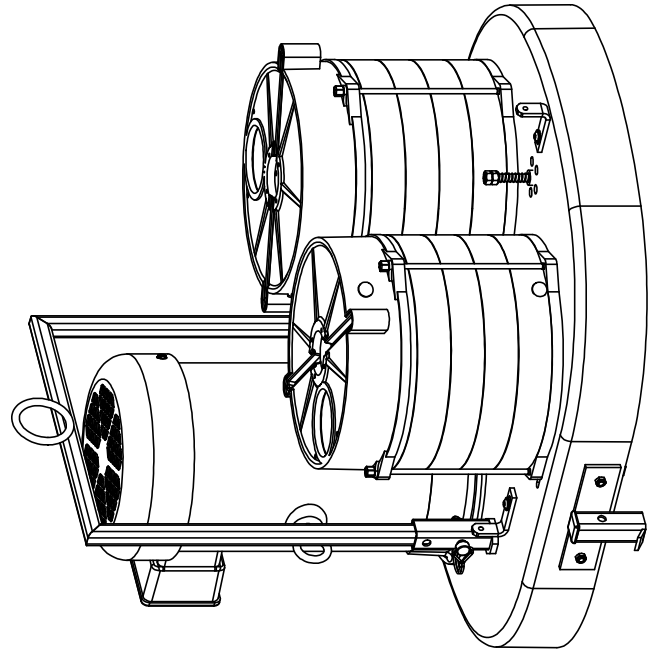
DRAWN: JJF  
 CHECKED: [ ]  
 FRACTIONAL SIZE IN INCHES  
 FRACTIONAL SIZE IN METRIC  
 TWO PLACE DECIMAL  
 THREE PLACE DECIMAL  
 ENG APPR. [ ]  
 MFG APPR. [ ]  
 COMMENTS: [ ]  
 INTERFERING PARTS: [ ]  
 MATERIAL: [ ]  
 FINISH: [ ]  
 USED ON: [ ]  
 NEW ASSY: [ ]  
 APPLICATION: [ ]

UNLESS OTHERWISE SPECIFIED:  
 DIMENSIONS ARE IN INCHES  
 TOLERANCES: FRACTIONAL SIZE IN INCHES  
 FRACTIONAL SIZE IN METRIC  
 TWO PLACE DECIMAL  
 THREE PLACE DECIMAL  
 ENG APPR. [ ]  
 MFG APPR. [ ]  
 COMMENTS: [ ]  
 INTERFERING PARTS: [ ]  
 MATERIAL: [ ]  
 FINISH: [ ]  
 USED ON: [ ]  
 NEW ASSY: [ ]  
 APPLICATION: [ ]

54 Winter St.  
 Proysok, N.J. 01040  
**ITW**  
**ITW**  
 P.636 MOTOR DECK

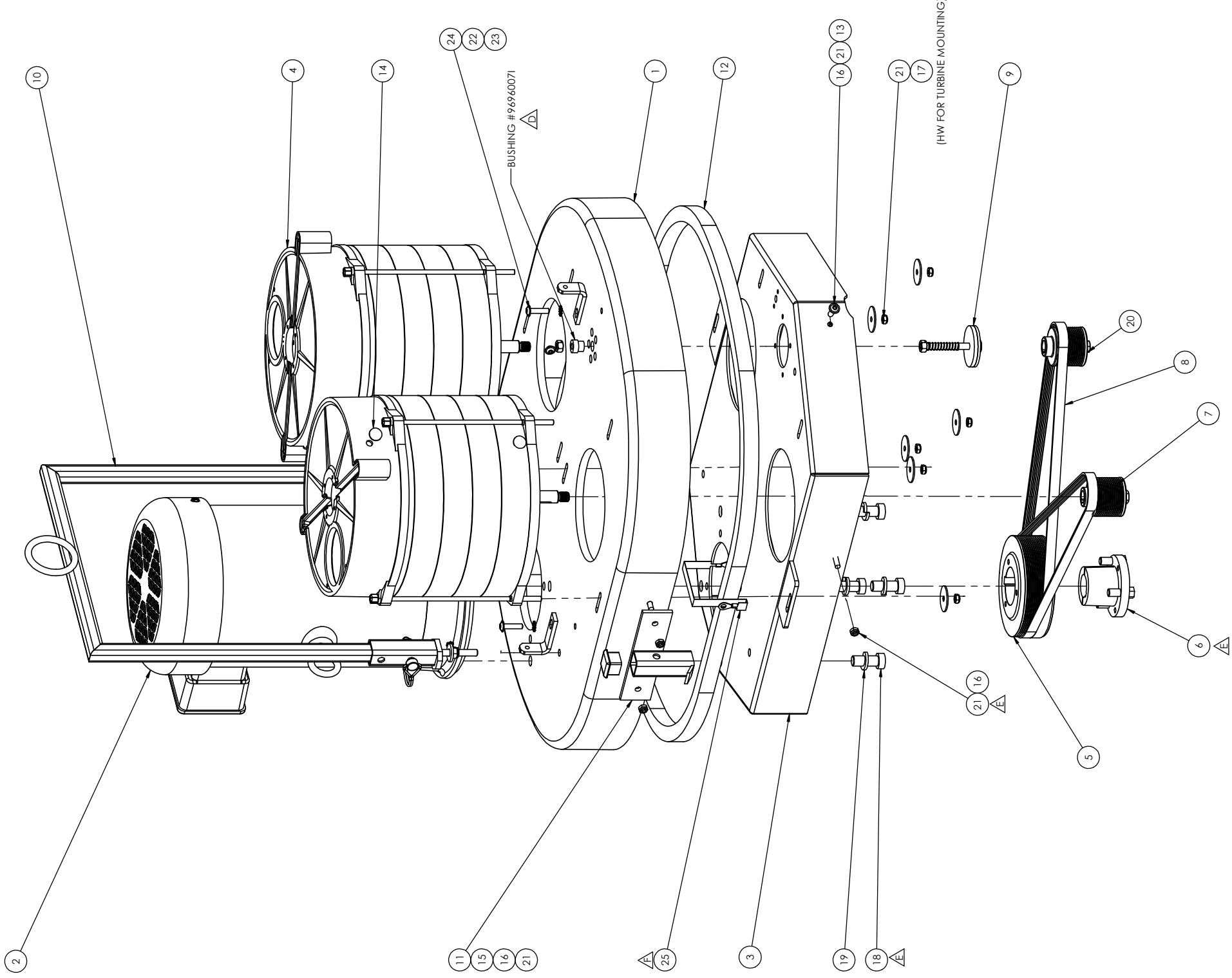
SIZE DWG. NO. **D** 990E0029US  
 REV **G**  
 25013A1B, 25013A2B  
 SCALE: 1:1 WEIGHT: [ ] SHEET 1 OF 1

REVISIONS				
ZONE	REV.	DESCRIPTION	DATE	APPROVED
	A	ECO 1397: CHANGED TURBINE HARDWARE TO LOCK NUTS	9/20/2017	DJE
	B	ECO 1406: ADDED 60210	10/5/2017	DJE
	C	ECO 1508: REMOVED AND UPDATED PARTS. HARDWARE	8/30/2018	DB
C4	D	ECO 1659: RELIEF VALVE BUSHING CHANGED	9/16/2019	DB
A6, B7	E	ECO 1841: UPDATED HARDWARE	1/24/2022	HE
B7	F	ECO 1881: DELETED HARDWARE AND UPDATED PART	5/19/2022	HE



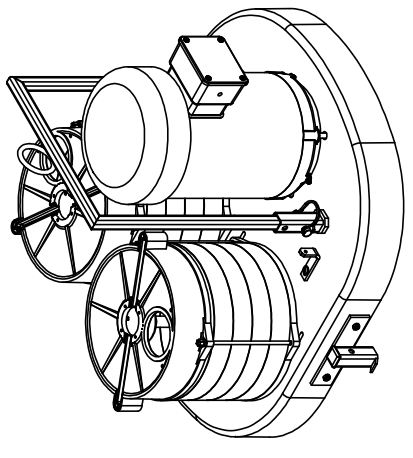
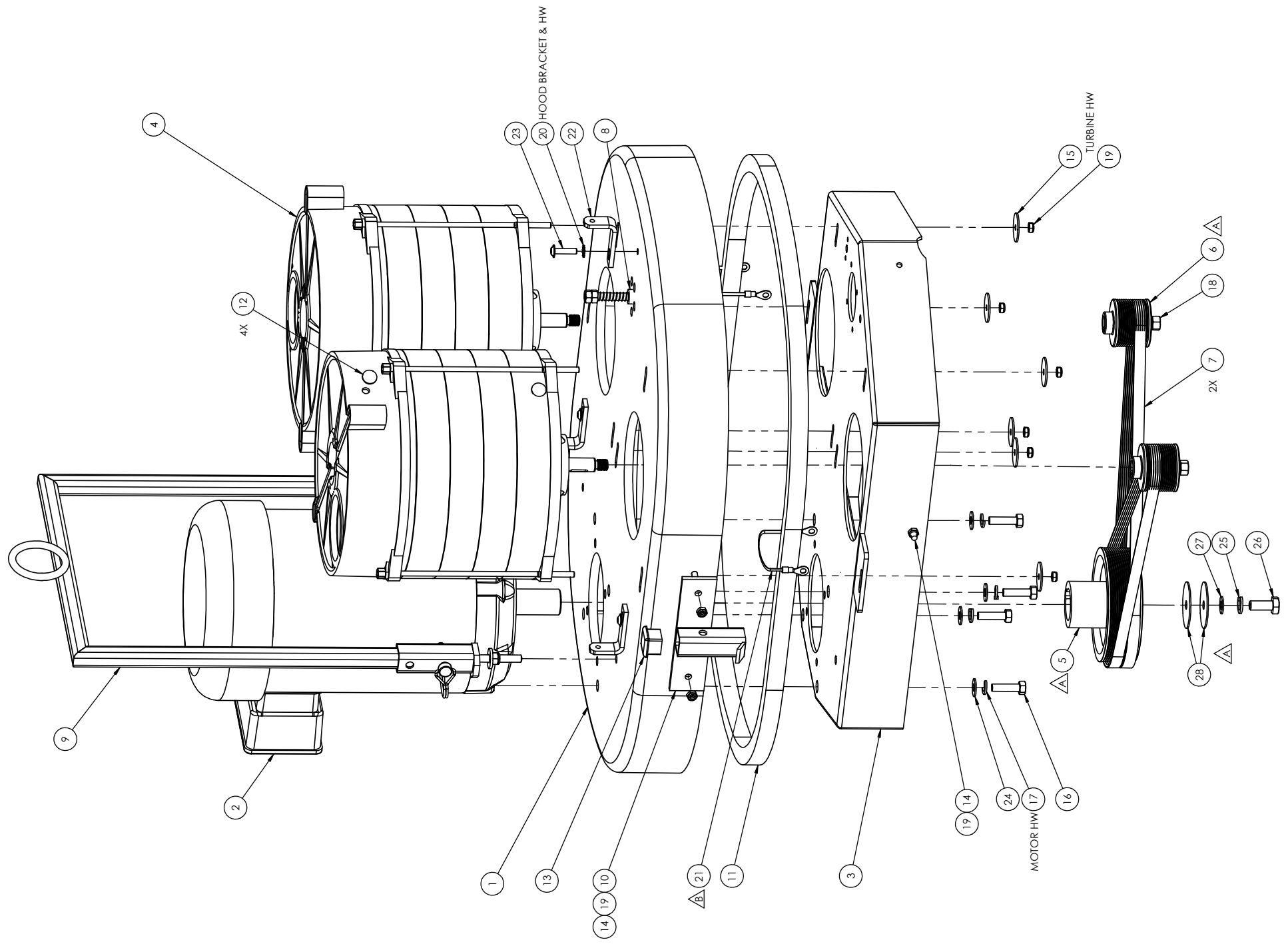
ITEM NO.	PART NO.	DESCRIPTION	DRAWING NO.	QTY.
1	32871001	DS2 MOTORDECK		1
2	35035	MOTOR, 7.5H, 208-460, 3PH, BALDOR, NON-EX		1
3	32883000	SUPPORT PLATE, D2 MDECK	990 A. 0005 US	1
4	22220	TURBINE, 5 STAGE, 2.2 KW		2
5	32923US	125MM SHEAVE, 14 GROOVE		1
6	3305201US	BUSHING, P1, 1.125"		1
7	33058	PULLEY, POLY-V, 14 GROOVE, 48MM DIA		2
8	35015	BELT, 350J, 6 GROOVE, POLY-V		2
9	96960080	RELIEF VALVE ASM, 2"		1
10	60210	LIFTING ASSEMBLY, DS2		1
11	60211C	CLAMP HOOK WELDMENT, MOTOR DECK		2
12	32935	DS2 MOTORDECK GASKET 78"	990R0036US	1
13	34998	GROUND CONNECTOR		1
14	22120	PLUG, 8MM, BLK		4
15	8010	PLASTIC END CAP, 1" SQ		2
16	34817	SCREW IJIS SOC HD M6 X 20		7
17	20031	WASHER, FENDER, 1/4 X 1 1/4		6
18	32841	BOLT, SOC, 1/2-13 X 1 1/4		4
19	50002	WASHER, LOCK 1/2"		4
20	32827	NUT, HEX, LH, M12, 1 3/4"		2
21	34876	M6 LOCK NUT		13
22	25000	WASHER EXT STAR .25IN		3
23	32872000	BRACKET, DS2 HOOD		3
24	3481701	SCREW, SOC BH, FLANGED, M6-25	000 R 0158 US	3
25	GWR035	GROUND WIRE ASM, POWERHOUSE MDECKS, CLAMP TO SUPPORT PLATE		3

DRAWN: DB		DATE: 8/20/18	NAME: 54 Winter St. Proyske, NGL, 01040
CHECKED: [Signature]	ENG APPR: [Signature]	MFG APPR: [Signature]	
TOLERANCES: FRACTIONAL 1/16" DECIMAL .015" THREE PLACE DECIMAL .005"		G.A.	
INTERFERING PARTS: NONE		MATERIAL: FRESH	
COMMENT: 35035AB		SIZE DWG. NO. D	
TITLE: DS2520 MOTORDECK NON-EX		REV: 000E0288US	
SCALE: 1:8		WEIGHT: F	
APPLICATION: [Blank]		SHEET 1 OF 1	



PROPRIETARY AND CONFIDENTIAL  
 THIS DRAWING AND ITS CONTENTS IS THE SOLE PROPERTY OF  
 BOWAC. ANY REPRODUCTION OR  
 DISSEMINATION OF THIS DRAWING  
 WITHOUT THE WRITTEN PERMISSION  
 OF BOWAC IS PROHIBITED.

REVISIONS				
ZONE	REV.	DESCRIPTION	DATE	APPROVED
A5, A6	A	ECO 1724: PULLEY AND HARDWARE UPDATES	5/5/2020	JJF
B7	B	ECO 1895: REPLACED #5231-#9 WITH #GWR044	6/28/2022	JMP



ITEM NO.	PART NO.	DESCRIPTION	DRAWING NO.	QTY.
1	32871001	DS2 MOTORDECK		1
2	25093	MOTOR, 5HP, NON-EX, 3 PHASE		1
3	32883000	SUPPORT PLATE, D2 MDECK	990 A.0005 US	1
4	22220	TURBINE, 5 STAGE, 2.2 KW		2
5	32921	125MM SHEAVE, 14 GROOVE		1
6	33060	PULLEY, 52MM, 14 GROOVE, POLY V		2
7	35015	BELT, 350J, 6 GROOVE, POLY-V		2
8	96960080	RELIEF VALVE ASM, 2"		1
9	60210	LIFTING ASSEMBLY, DS2		1
10	60211C	CLAMP HOOK WELDMENT, MOTOR DECK	990R0036US	2
11	32935	DS2 MOTORDECK GASKET 78"		1
12	22120	PLUG, 8MM, BIK		4
13	8010	PLASTIC END CAP, 1" SQ		2
14	34817	SCREW ULS SOC HD M6 X 20		6
15	20031	WASHER, FENDER, 1/4 X 1 1/4		6
16	25031	BOLT HEX M8 X 30		4
17	20050	WASHER SPLIT LOCK M8		4
18	32827	NUT, HEX, LH, M12, 1 3/4"		2
19	34876	M6 LOCK NUT		12
20	25000	WASHER EXT STAR .25IN		5
21	GWR044	GROUND WIRE ASM		2
22	32872000	BRACKET, DS2 HOOD	000 R.0158 US	3
23	3481701	SCREW, SOC BH, FLANGED, M6-25		3
24	34882	WASHER FLAT/THIN M8 ZINC		4
25	300452	WASHER, SPLIT LOCK, M10, ZINC		1
26	21557	BOLT, HEX, M10-1.25, 25MM, ZINC		1
27	20192	WASHER FLAT M10		1
28	30045	WASHER, M10, FENDER, 2IN		2

UNLESS OTHERWISE SPECIFIED:	NAME	DATE
FRACTIONAL SIZE IN INCHES	DB	1/13/20
FRACTIONAL #/16	CHECKED	
TWO PLACE DECIMAL	ENG APPR.	
THREE PLACE DECIMAL	MFG APPR.	
	G.A.	

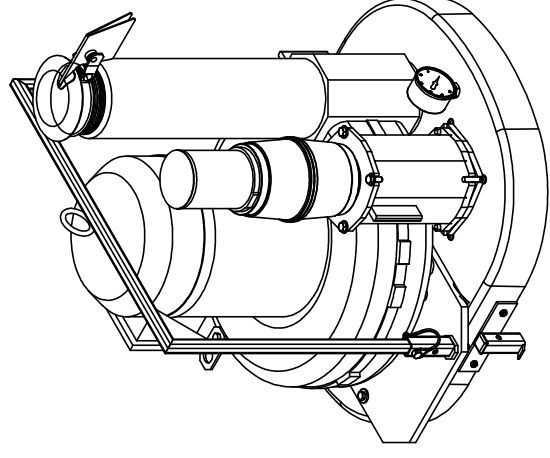
COMMENTS:  
 BREAK SHARP EDGES  
 MATERIAL:  
 FINISH:  
 USED ON:  
 NEW ASSY:

APPLICATION: 25093AD2420B  
 SIZE DWG. NO. D  
 000 E 0556 US  
 SCALE: 1:8 WEIGHT:

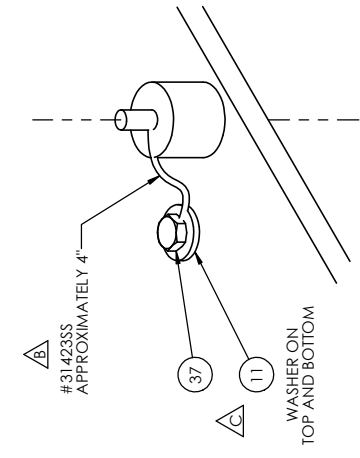
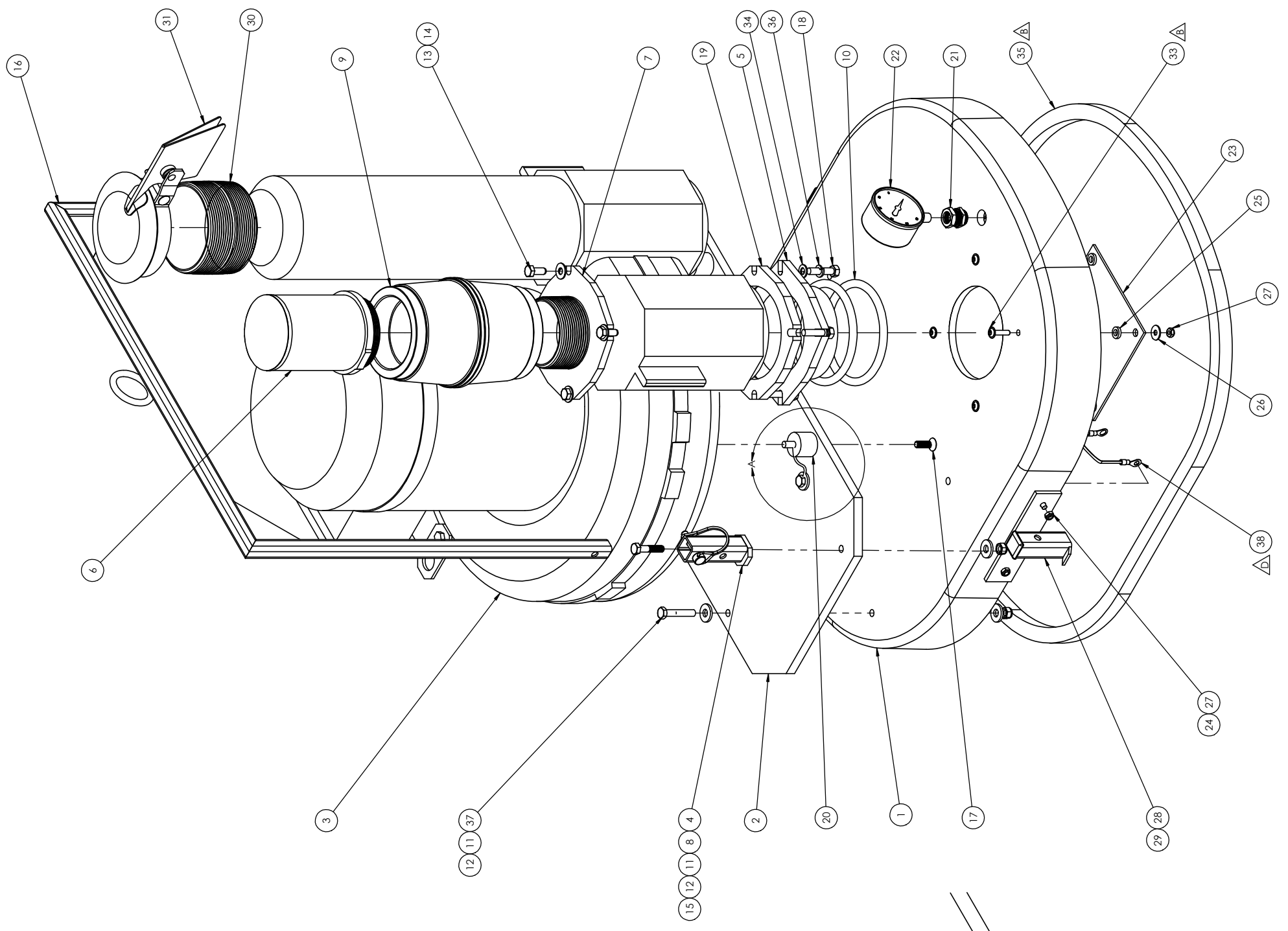
54 Winter St.  
 Proysok, NGL, 01040  
**Towec**  
 TITLE:  
 P310, MOTORDECK, 5HP,  
 DUAL TURBINES, BLACK  
 REV B  
 SHEET 1 OF 1

PROPRIETARY AND CONFIDENTIAL  
 THIS DRAWING AND THE INFORMATION IS  
 CONTAINED HEREIN IS THE SOLE PROPERTY OF  
 TOWEC. ANY REPRODUCTION OR PARTIAL  
 REPRODUCTION WITHOUT THE WRITTEN  
 PERMISSION OF TOWEC IS PROHIBITED.

REVISIONS				
ZONE	REV.	DESCRIPTION	DATE	APPROVED
	A	ECO 1589- ADDED GROUNDING FOR MOTORDECK	4/11/2019	DB
A4, B8	B	ECO 1632- CHANGED FLANGE & SCREENS SECURING. UPDATED GROUND WIRE LENGTH	8/1/2019	DB
A8	C	ECO 1791- PARTS/NOTES UPDATED	4/15/2021	JIF
A6	D	ECO 1895- REPLACED #52314P WITH #GWR043	6/24/2022	JMP



ITEM NO.	PART NO.	DESCRIPTION	DRAWING NO.	QTY.
1	32871003	DS2 MOTOR DECK/LID		1
2	45137P01	REGEN VERT MOUNT PLATE	000M02-40US	1
3	45136	VPK 90 10HP		1
4	60210C	DECK MOUNT WELDMENT	000R0392US	2
5	45115-5	PK9 FLANGED TUBE CONNECTOR		1
6	10022	RELIEF VALVE SCREEN, 3 NPT		1
7	45115-13	FLANGE CONNECTOR, K9-K10MS, 3IN MNPT		1
8	31208	HEX BOLT, PARTIAL THREAD, 5/16-18, 1 1/2"		2
9	96982	RELIEF VALVE, 3, ADJUSTABLE		1
10	2509802	GASKET, ROUND, 3/8", CUT AT 15.5"		2
11	31205	FLAT WASHER 5/16		10
12	31202	5/16-18 LOCK NUT		6
13	25038	BOLT, HEX M8 X 20		4
14	34882	WASHER FLAT/THIN M8 ZINC		4
15	25029	RETAINER PIN		2
16	60210E	REMOVABLE LIFTING BAR	000R0458US	1
17	2504370	SCREW FH M8 X 25, BLK OX		3
18	34825	BOLT, HEX M8 X 35		4
19	45115-8	FLANGE SPACER, K9-K10MS	000J0007US	1
20	91281	VIBRATION MOUNT M8		3
21	20042801	BULK HEAD 1/4" NPT		1
22	2006253	GAGE VACUUM -0.160"WC 2.5" DIA SS		1
23	2177702	PROTECTION SCREEN 6X6"		1
24	34817	SCREW US SOC HD M6 X 20		4
25	200432	NYLON WASHER/SPACER		4
26	34819	WASHER TENDER M6		4
27	34876	M6 LOCK NUT		8
28	60211C	CLAMP HOOK WELDMENT, MOTOR DECK	990R0036US	2
29	8010	PLASTIC END CAP, 1" SQ		2
30	279201	NIPPLE, 4 X CLOSE, STEEL		1
31	80-1066	RAIN CAP, 4"		1
33	3481701	SCREW, SOC BH, FLANGED, M6-25		4
34	25061	M8 FLAT WASHER		4
35	32935	DS2 MOTORDECK GASKET 78"		1
36	20050	WASHER SPLIT LOCK M8		4
37	HW4005A03	HEX BOLT, 5/16-18 X 1 3/4"		4
38	GW043	GROUND WIRE ASM		2



DETAIL A  
SCALE 2:3

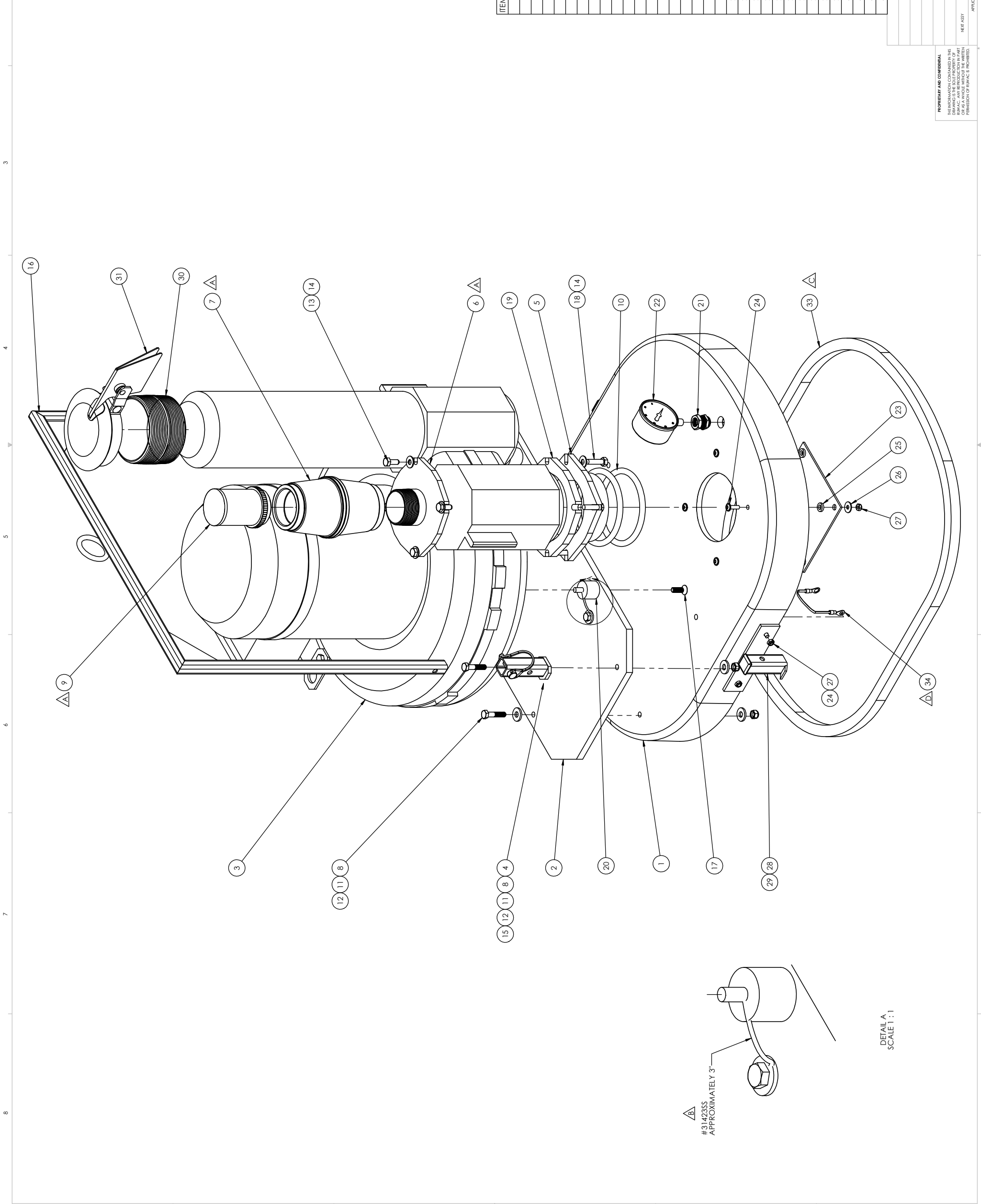
PROPRIETARY AND CONFIDENTIAL  
THIS DRAWING AND THE INFORMATION CONTAINED HEREIN IS THE SOLE PROPERTY OF  
TRWAVEC. ANY REPRODUCTION OR PARTIAL REPRODUCTION WITHOUT THE  
PERMISSION OF TRWAVEC IS PROHIBITED.

UNLESS OTHERWISE SPECIFIED:	NAME	DATE
FRACTIONAL DIMENSIONS IN INCHES	D.J.S.	6/28/16
FRACTIONAL DIMENSIONS IN MILLIMETERS	CHECKED	
TWO PLACE DECIMAL DIMENSIONS	ENG APPR.	
THREE PLACE DECIMAL DIMENSIONS	MFG APPR.	
INTERFERING DIMENSIONS	Q.A.	
MATERIAL	COMMENTS:	
FRESH	NEW ASSY	
APPLICATION	45136ABV	
SIZE DWG. NO.	990 E 0033 US	REV
SCALE: 1:2	WEIGHT:	SHEET 1 OF 1

54 Winter St.  
Procyon, NGL 01040  
TRWAVEC  
TITLE:  
DS2 REGEN MOTORDECK,  
VPK90, 10HP, VERT MOUNT  
SCALE: 1:2



REVISIONS				
ZONE	REV.	DESCRIPTION	DATE	APPROVED
C4, D4, D6	A	CHANGED DRAWING NUMBER PREVIOUSLY 9900001US1.E.CO. #1228 RELIEF VALVE CHANGE	6/28/2016	D.J.S.
B8	B	ECO158F. ADDED GROUNDING FOR MOTORDECK	4/11/2019	DB
A4	C	ECO 1799. ADDED MOTORDECK GASKET	8/17/2021	HE
A6	D	ECO 1895. REPLACED #5231RP WITH #GWR043	6/24/2022	JMP



ITEM NO.	PART NO.	DESCRIPTION	DRAWING NO.	QTY.
1	32871003	DS2 MOTOR DECK/LID		1
2	45137P01	REGEN VERT MOUNT PLATE	000M0240US	1
3	45137	REGEN 15HP		1
4	60210C	DECK MOUNT WELDMENT	000R0392US	2
5	45115-5	PK9 FLANGED TUBE CONNECTOR		1
6	45115-10	FLANGE CONNECTOR, K9-K10MS, 2IN MNPT		1
7	96981	RELIEF VALVE, 2, ADJUSTABLE		1
8	31208	HEX BOLT, PARTIAL THREAD, 5/16-18, 1 1/2"		6
9	1002210	RELIEF VALVE, 2, SCREEN ADAPTER		1
10	2509802	GASKET, ROUND, 3/8", CUT AT 15.5"		2
11	31205	FLAT WASHER 5/16		10
12	31202	5/16-18 LOCK NUT		6
13	25038	BOLT HEX M8 X 20		4
14	34882	WASHER FLAT/THIN M8 ZINC		8
15	25029	RETAINER PIN		2
16	60210E	REMOVABLE LIFTING BAR	000R0458US	1
17	2504370	SCREW FH M8 X 25, BLK OX		3
18	25031	BOLT HEX M8 X 30		4
19	45115-8	FLANGE SPACER, K9-K10MS	000J0007US	1
20	91281	VIBRATION MOUNT M8		3
21	20062801	BULKHEAD 1/4" NPT		1
22	2006253	GAGE VACUUM-0-160"WC 2.5" DIA SS		1
23	2177702	PROTECTION SCREEN 6X6"		1
24	34817	SCREW US SOC HD M6 X 20		8
25	200432	NYLON WASHER/SPACER		4
26	34819	WASHER FENDER M6		4
27	34876	M6 LOCK NUT		8
28	60211C	CLAMP HOOK WELDMENT, MOTOR DECK	990R0036US	2
29	8010	PLASTIC END CAP, 1" SQ		2
30	279201	NIPPLE, 4 X CLOSE, STEEL		1
31	80-1066	RAIN CAP, 4"		1
33	32935	DS2 MOTORDECK GASKET 78"		1
34	GWR043	GROUND WIRE ASM		2

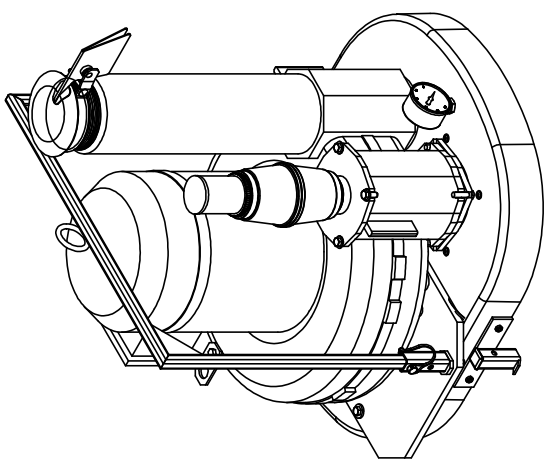
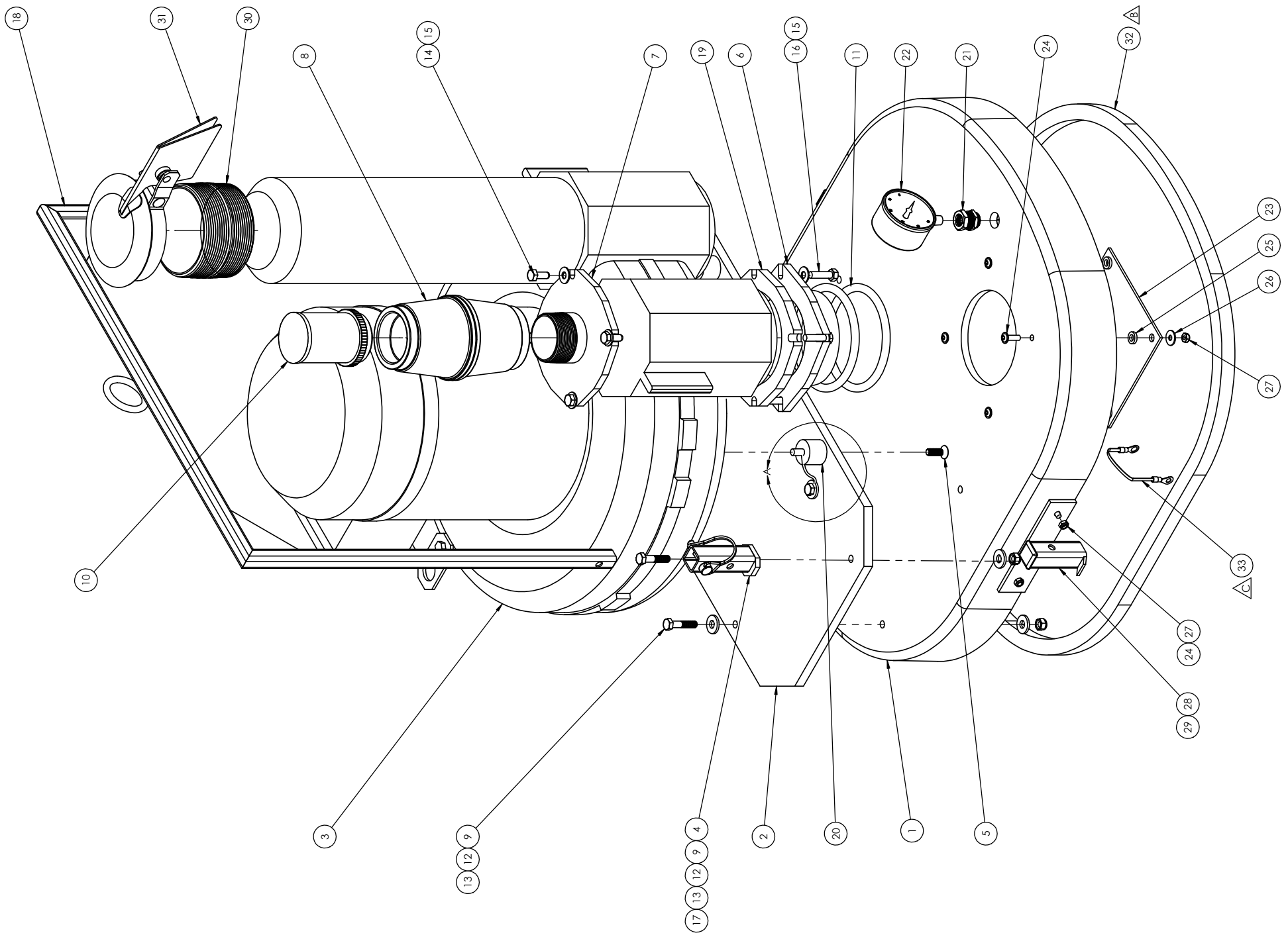
UNLESS OTHERWISE SPECIFIED:	DATE	5/4/2016	54 WINTER ST.
FRACTIONAL SIZE IN INCHES	DRAWN	J.F.	ROYCE, NGL 01040
FRACTIONAL SIZE IN MILLIMETERS	CHECKED		
TWO PLACE DECIMAL	ENG APPR.		
THREE PLACE DECIMAL	MFG APPR.		
G.A.	COMMENTS:		
INTERFERING PARTS:	MATERIAL:		
FINISH:			
NEW ASSY	USED ON		
APPLICATION			

PROPRIETARY AND CONFIDENTIAL  
 THIS DRAWING IS THE PROPERTY OF  
 ROYCE. ANY REPRODUCTION OR  
 DISSEMINATION OF THIS DRAWING  
 WITHOUT THE WRITTEN PERMISSION  
 OF ROYCE IS PROHIBITED.

SIZE DWG. NO. **D** 990E0032US  
 TITLE: **DS2 REGEN MOTORDECK, VPK90, 15HP, VERT MOUNT**  
 SCALE: 1:2 WEIGHT: SHEET 1 OF 1

DETAIL A  
 SCALE 1:1

REVISIONS				
ZONE	REV.	DESCRIPTION	DATE	APPROVED
B8	A	ECO 1589- ADDED GROUNDING FOR MOTORDECK	4/11/2019	DB
A4	B	ECO 1799- ADDED MOTORDECK GASKET	8/17/2021	HE
A6	C	ECO 1895- REPLACED #52314P WITH #6WR043	6/24/2022	JMP



ITEM NO.	PART NO.	DESCRIPTION	DRAWING NO.	QTY.
1	32871003	DS2 MOTOR DECK/LID		1
2	45137P01	REGEN VERT MOUNT PLATE	000M0240US	1
3	45138	VPK 90 20HP		1
4	60210C	DECK MOUNT WELDMENT	000R0392US	2
5	2504370	SCREW FH M8 X 25, BLK OX		3
6	45115-5	PK9 FLANGED TUBE CONNECTOR		1
7	45115-10	FLANGE CONNECTOR, K9-K10MS, 2IN MNPT		1
8	96981	RELIEF VALVE, 2, ADJUSTABLE		1
9	31208	HEX BOLT, PARTIAL THREAD 5/16-18, 1 1/2"		6
10	1002210	RELIEF VALVE, 2", SCREEN ADAPTER		1
11	2509802	GASKET, ROUND, 3/8", CUT AT 1.5.5"		2
12	31205	FLAT WASHER 5/16		10
13	31202	5/16-18 LOCK NUT		6
14	25038	BOLT HEX M8 X 20		4
15	34882	WASHER FLAT/THIN M8 ZINC		8
16	25031	BOLT HEX M8 X 30		4
17	25029	RETAINER PIN		2
18	60210E	REMOVABLE LIFTING BAR	000R0458US	1
19	45115-8	FLANGE SPACER, K9-K10MS	000J0007US	1
20	91281	VIBRATION MOUNT M8		3
21	20062801	BULKHEAD 1/4" NPT		1
22	2006253	GAGE VACUUM-0-160"WC 2.5" DIA SS		1
23	2177702	PROTECTION SCREEN 6X6"		1
24	34817	SCREW US SOC HD M6 X 20		8
25	200432	NYLON WASHER/SPACER		4
26	34819	WASHER FENDER M6		4
27	34876	M6 LOCK NUT		8
28	60211C	CLAMP HOOK WELDMENT, MOTOR DECK	990R0036US	2
29	8010	PLASTIC END CAP, 1" SQ		2
30	279201	NIPPLE, 4 X CLOSE, STEEL		1
31	80-1066	RAIN CAP, 4"		1
32	32935	DS2 MOTORDECK GASKET 78"		1
33	GW0043	GROUND WIRE ASM		2

(UNLESS OTHERWISE SPECIFIED)  
 DIMENSIONS ARE IN INCHES  
 TOLERANCES:  
 FRACTIONAL ± 1/16" PER END ± 1/32"  
 TWO PLACE DECIMAL ± 0.02  
 THREE PLACE DECIMAL ± 0.015  
 G.A.  
 INTERPRET GEOMETRIC TOLERANCES AS SHOWN  
 MATERIAL:  
 FINISH:  
 USED ON:  
 NEW ASSY:

DRAWN: D.J.S. 6/28/16  
 CHECKED: [Signature]  
 ENG APPR: [Signature]  
 MFG APPR: [Signature]

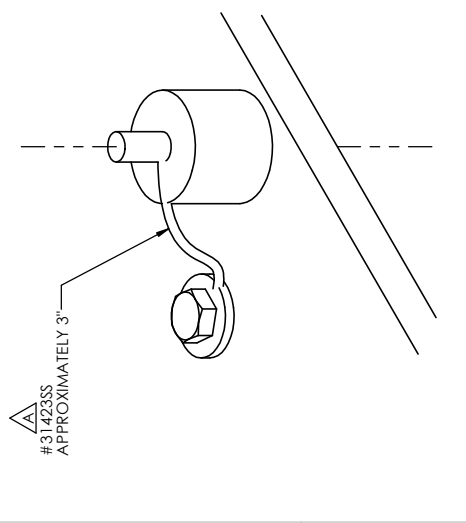
NAME: [Signature] DATE: 6/28/16  
 TITLE: [Signature]

54 Winters St.  
 Holyoke, MA 01040

**DS2 REGEN MOTORDECK, VPK90 20HP, VERT MOUNT**

SIZE DWG. NO. **D** 990E0034US REV **C**  
 45138ABV

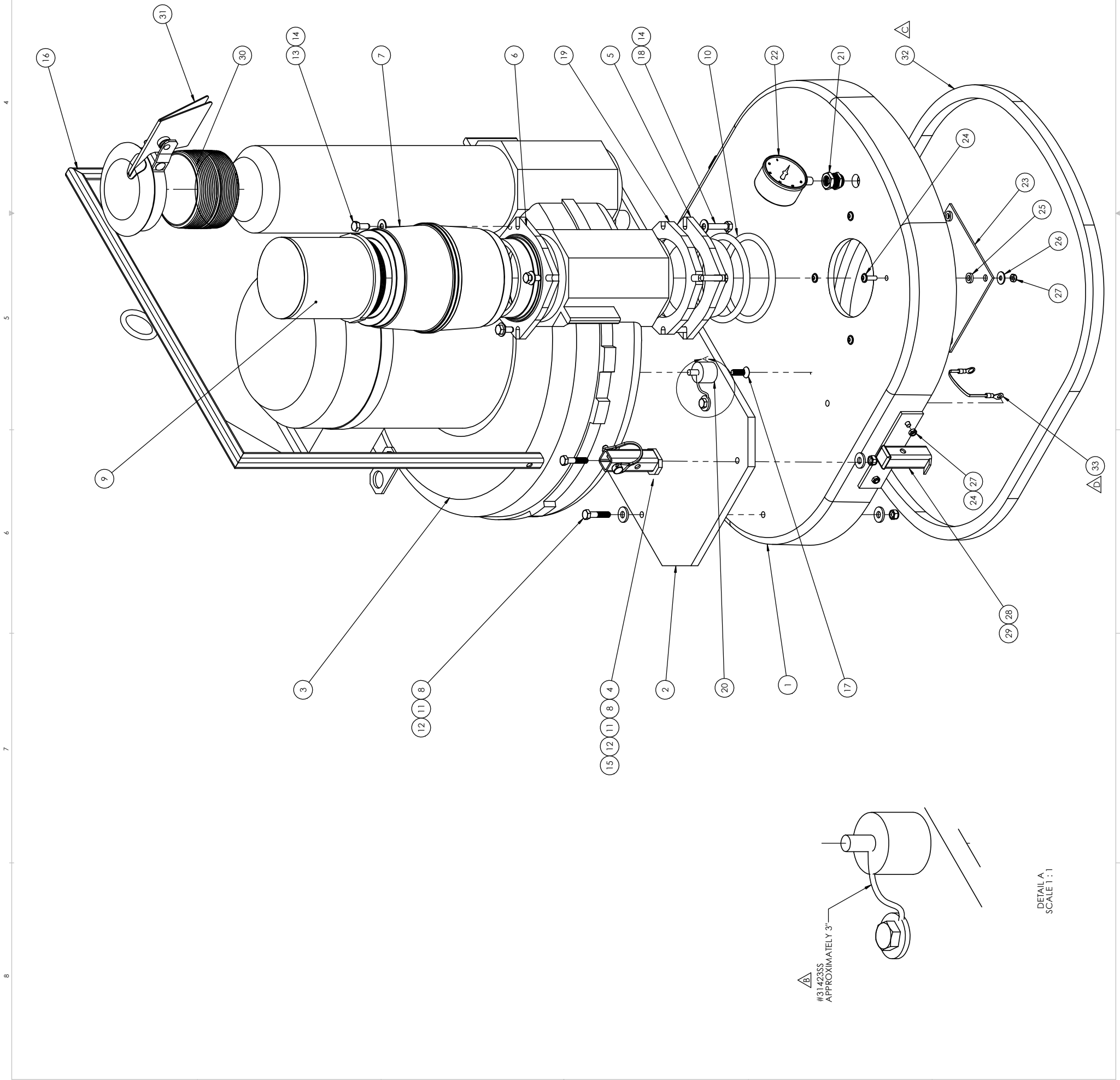
SCALE: 1:2 WEIGHT: SHEET 1 OF 1



DETAIL A  
 SCALE 1:1



REVISIONS				
ZONE	REV.	DESCRIPTION	DATE	APPROVED
	A	ECO 152P-REPLACED HARDWARE	10/5/2018	DB
	B	ECO 158P- ADDED GROUNDING FOR MOTORDECK	4/12/2019	DB
	C	ECO 179P- ADDED MOTORDECK GASKET	8/17/2021	HE
	D	ECO 189S-REPLACED #52314P WITH #GWR043	6/24/2022	JMP



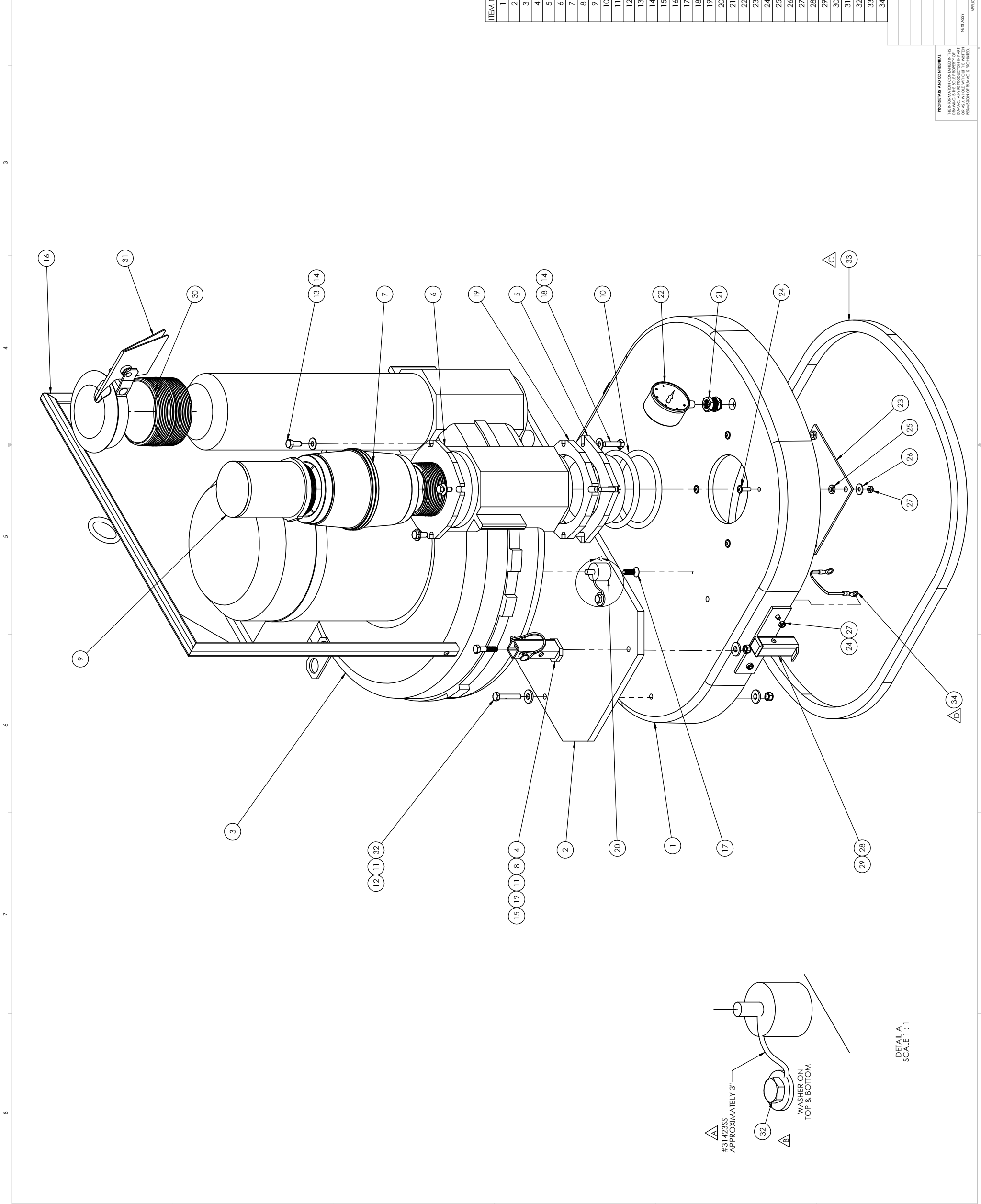
ITEM NO.	PART NO.	DESCRIPTION	DRAWING NO.	QTY.
1	32871003	DS2 MOTOR DECK/LID		1
2	45137P01	REGEN VERT MOUNT PLATE	000M0240US	1
3	45139	VPK 100 10HP. VERT. MOUNT		1
4	60210C	DECK MOUNT WELDMENT	000R0392US	2
5	45115-5	PK9 FLANGED TUBE CONNECTOR		1
6	VK9A	VK9 FLANGED TUBE CONNECTOR, 4" NPT		1
7	96983	RELIEF VALVE, 4. ADJUSTABLE		1
8	31208	HEX BOLT, PARTIAL THREAD 5/16-18, 1 1/2"		6
9	10024	RELIEF VALVE SCREEN, 4NPT		1
10	2509802	GASKET, ROUND, 3/8". CUT AT 15.5"		2
11	31205	FLAT WASHER 5/16		10
12	31202	5/16-18 LOCK NUT		6
13	25038	BOLT HEX M8 X 20		4
14	34882	WASHER FLAT/THIN M8 ZINC		8
15	25029	RETAINER PIN		2
16	60210E	REMOVABLE LIFTING BAR	000R0458US	1
17	2504370	SCREW FH M8 X 25, BLK OX		3
18	34825	BOLT HEX M8 X 35		4
19	45115-8	FLANGE SPACER, K9-K10MS	000J0007US	1
20	91281	VIBRATION MOUNT M8		3
21	20062801	BULK HEAD 1/4" NPT		1
22	2006253	GAGE VACUUM-0-160"WC 2.5" DIA SS		1
23	2177702	PROTECTION SCREEN 6X6"		1
24	34817	SCREW US SOC HD M6 X 20		8
25	200432	NYLON WASHER/SPACER		4
26	34819	WASHER FENDER M6		4
27	34876	M6 LOCK NUT		8
28	60211C	CLAMP HOOK WELDMENT, MOTOR DECK	990R0036US	2
29	8010	PLASTIC END CAP, 1" SQ		2
30	279201	NIPPLE, 4 X CLOSE, STEEL		1
31	80-1066	RAIN CAP, 4"		1
32	32935	DS2 MOTORDECK GASKET 78"		1
33	GWR043	GROUND WIRE ASM		2

UNLESS OTHERWISE SPECIFIED:	NAME	DATE
FRACTIONAL SIZE IN INCHES	D.J.S.	6/20/16
FRACTIONAL SIZE IN MILLIMETERS		
TWO PLACE DECIMAL SIZE		
THREE PLACE DECIMAL SIZE		
INTERFERING DIMENSIONS:		
MATERIAL:		
FINISH:		
USE ON:		
APPLICATION:		

54 Winter St.  
 Plymouth, N.J. 01040  
**ITWec**  
 TITLE:  
**DS2 REGEN MOTORDECK, VPK100, 10HP, VERT MOUNT**  
 SIZE DWG. NO. **D 990E0035US** REV **D**  
 45139ABV  
 SCALE: 1:2 WEIGHT: SHEET 1 OF 1

DETAIL A  
SCALE 1:1

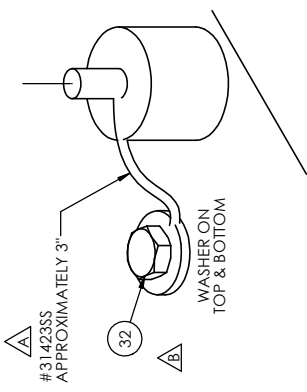
REVISIONS				
ZONE	REV.	DESCRIPTION	DATE	APPROVED
B8	A	ECO 1589- ADDED GROUNDING FOR MOTORDECK	4/12/2019	DB
A8	B	ECO 1791- UPDATED PARTS AND NOTES	4/15/2021	JJF
A4	C	ECO 1799- ADDED MOTORDECK GASKET	8/17/2021	HE
A6	D	ECO 1895- REPLACED #52314P WITH #GWR043	6/27/2022	JMP



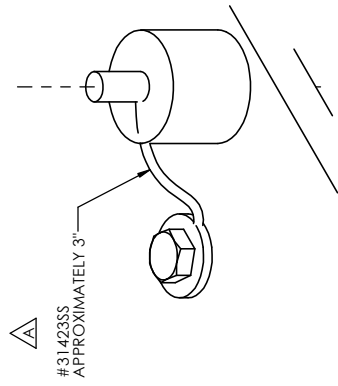
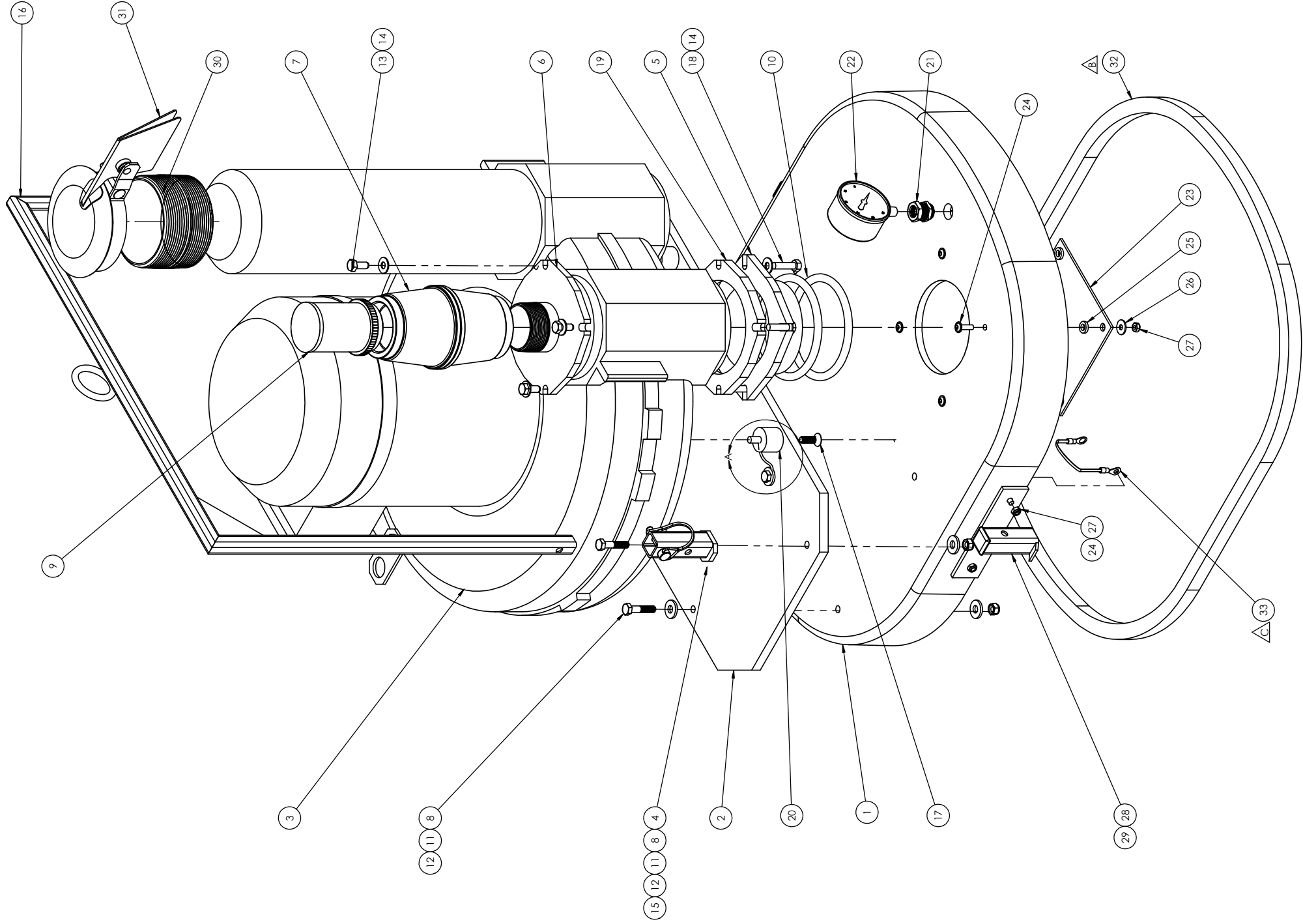
ITEM NO.	PART NO.	DESCRIPTION	DRAWING NO.	QTY.
1	32871003	DS2 MOTOR DECK/LID		1
2	45137P01	REGEN VERT MOUNT PLATE	000M0240US	1
3	45140	VPK 100 15 HP. VERT. MOUNT		1
4	60210C	DECK MOUNT WELDMENT	000R0392US	2
5	45115-5	PK9 FLANGED TUBE CONNECTOR		1
6	45115-13	FLANGE CONNECTOR, K9-K10MS, 3IN MNPT		1
7	96982	RELIEF VALVE, 3. ADJUSTABLE		1
8	31208	HEX BOLT, PARTIAL THREAD 5/16-18, 1 1/2"		2
9	10022	RELIEF VALVE SCREEN, 3 NPT		1
10	2509802	GASKET, ROUND, 3/8", CUT AT 13.5"		2
11	31205	FLAT WASHER 5/16		10
12	31202	5/16-18 LOCK NUT		6
13	25038	BOLT HEX M8 X 20		4
14	34882	WASHER FLAT/THIN M8 ZINC		8
15	25029	RETAINER PIN		2
16	60210E	REMOVABLE LIFTING BAR	000R0458US	1
17	2504370	SCREW FH M8 X 25. BLK OX		3
18	25031	BOLT HEX M8 X 30		4
19	45115-8	FLANGE SPACER, K9-K10MS	000J0007US	1
20	91281	VIBRATION MOUNT M8		3
21	20062801	BULKHEAD 1/4" NPT		1
22	2006253	GAGE VACUUM -0-160W/C 2.5" DIA SS		1
23	2177702	PROTECTION SCREEN 6X6"		1
24	34817	SCREW ULS SOC HD M6 X 20		8
25	200432	NYLON WASHER/SPACER		4
26	34819	WASHER FENDER M6		4
27	34876	M6 LOCK NUT		8
28	60211C	CLAMP HOOK WELDMENT, MOTOR DECK	990R0036US	2
29	8010	PLASTIC END CAP, 1" SQ		2
30	279201	NIPLLE, 4 X CLOSE, STEEL		1
31	80-1066	RAIN CAP, 4"		1
32	HW4005A03	HEX BOLT, 5/16-18 X 1 3/4"		4
33	32935	DS2 MOTORDECK GASKET 78"		1
34	GWR043	GROUND WIRE ASM		2

<small>UNLESS OTHERWISE SPECIFIED:</small> DIMENSIONS ARE IN INCHES FRACTIONAL 1/16" INCREMENTS TWO PLACE DECIMAL ±0.02 THREE PLACE DECIMAL ±0.015 INTERFERING DIMENSIONS: O.A. MATERIAL: FRESH USE ON: NEW ASSY	DRAWN: [ ] CHECKED: [ ] ENG APPR: [ ] MFG APPR: [ ] Q.A.: [ ] COMMENTS: [ ]	DATE: 6/29/16 TITLE: DS2 REGEN MOTORDECK, VPK100, 15HP, VERT MOUNT SIZE DWG. NO. 990E0036US COMMENT: 45140ABV SCALE: 1:2 WEIGHT: [ ] SHEET 1 OF 1
---	--	--

PROPRIETARY AND CONFIDENTIAL  
 THIS DRAWING AND THE INFORMATION IS THE PROPERTY OF PFWAC. ANY REPRODUCTION OR PARTIAL REPRODUCTION OF THIS DRAWING WITHOUT THE WRITTEN PERMISSION OF PFWAC IS PROHIBITED.

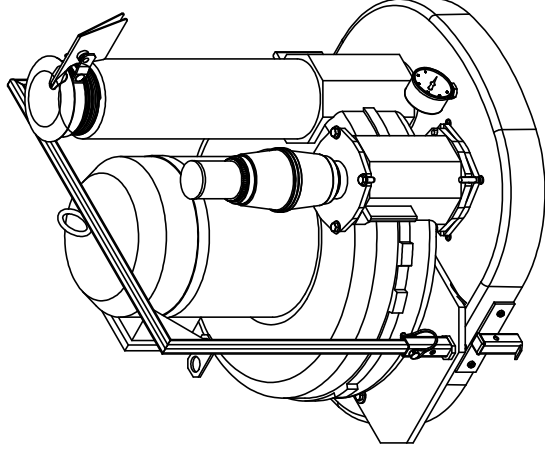


DETAIL A  
 SCALE: 1:1



DETAIL A  
SCALE 1 : 1

REVISIONS				
ZONE	REV.	DESCRIPTION	DATE	APPROVED
B8	A	ECO 1899- ADDED GROUNDING FOR MOTORDECK	4/12/2019	DB
A4	B	ECO 1799- ADDED MOTORDECK GASKET	8/17/2021	HE
A6	C	ECO 1895- REPLACED #52314P WITH #6WR043	6/27/2022	JMP



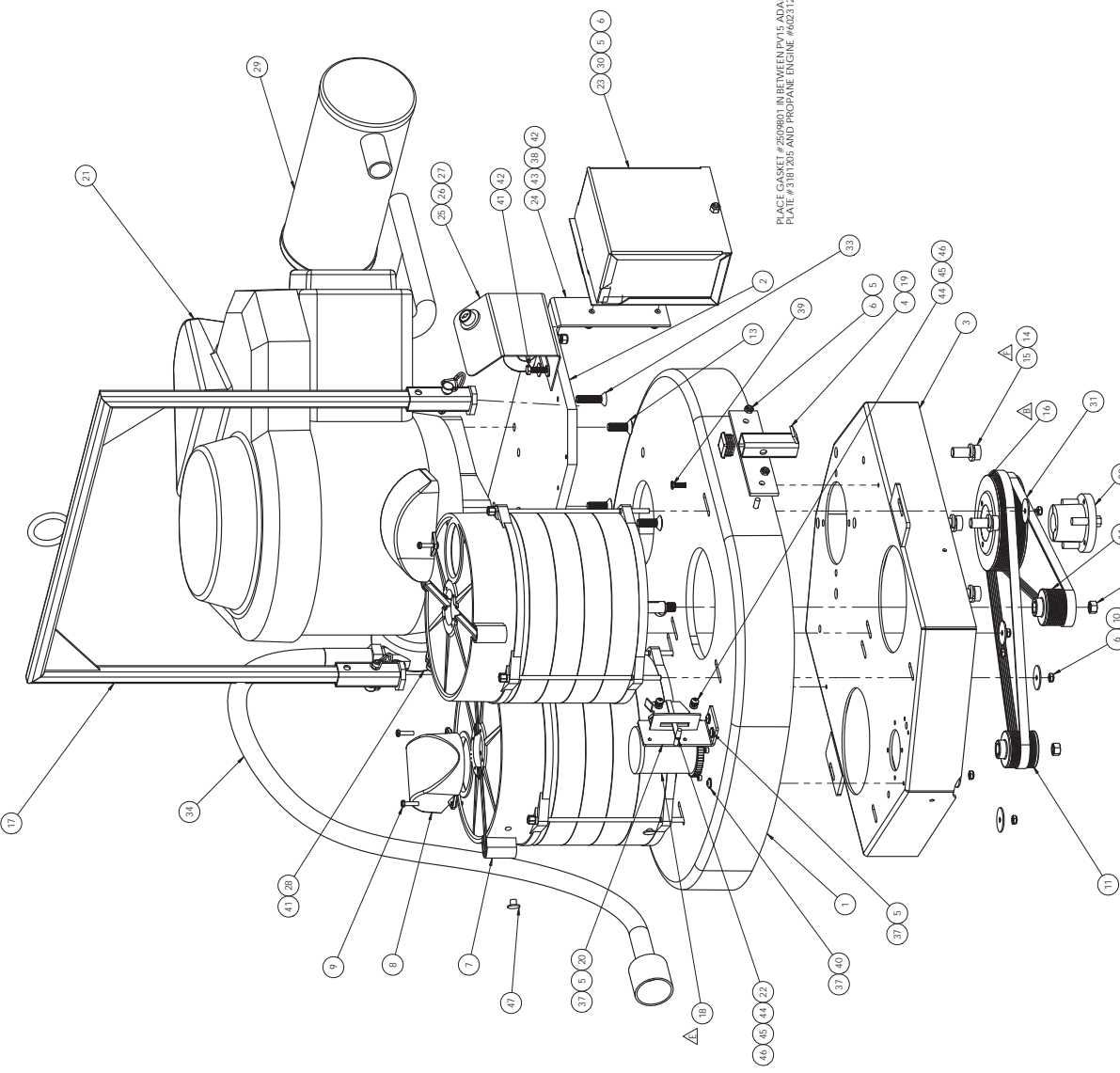
ITEM NO.	PART NO.	DESCRIPTION	DRAWING NO.	QTY.
1	32871003	DS2 MOTOR DECK/LID		1
2	45137P01	REGEN VERT MOUNT PLATE	000M0240US	1
3	45141	VPK 100, 20HP, DECK MOUNT		1
4	60210C	DECK MOUNT WELDMENT	000R0392US	2
5	45115-5	PK9 FLANGED TUBE CONNECTOR		1
6	45115-10	FLANGE CONNECTOR, K9-K10MS, 2IN MNPT		1
7	96981	RELIEF VALVE, 2, ADJUSTABLE		1
8	31208	HEX BOLT, PARTIAL THREAD, 5/16-18, 1 1/2"		6
9	1002210	RELIEF VALVE, 2, SCREEN ADAPTER		1
10	2509802	GASKET, ROUND, 3/8", CUT AT 15.5"		2
11	31205	FLAT WASHER 5/16		10
12	31202	5/16-18 LOCK NUT		6
13	25038	BOLT HEX M8 X 20		4
14	34882	WASHER FLAT/THIN M8 ZINC		8
15	25029	RETAINER PIN		2
16	60210E	REMOVABLE LIFTING BAR	000R0458US	1
17	2504370	SCREW FH M8 X 25, BLK OX		3
18	25031	BOLT HEX M8 X 30		4
19	45115-8	FLANGE SPACER, K9-K10MS	000J0007US	1
20	91281	VIBRATION MOUNT M8		3
21	20062801	BULKHEAD 1/4" NPT		1
22	2006253	GAGE VACUUM-0-160"WC 2.5" DIA SS		1
23	2177702	PROTECTION SCREEN 6X6"		1
24	34817	SCREW US SOC HD M6 X 20		8
25	200432	NYLON WASHER/SPACER		4
26	34819	WASHER FENDER M6		4
27	34876	M6 LOCK NUT		8
28	60211C	CLAMP HOOK WELDMENT, MOTOR DECK	990R0036US	2
29	8010	PLASTIC END CAP, 1" SQ		2
30	279201	NIPPLE, 4 X CLOSE, STEEL		1
31	80-1066	RAIN CAP, 4"		1
32	32935	DS2 MOTORDECK GASKET 78"		1
33	GWR043	GROUND WIRE ASM		2

DRAWN: J.F.		DATE: 2/17/15	54 Winter St. Proyskig, NGL 01040
CHECKED: [Signature]		TITLE:	REV: C
ENG APPR: [Signature]		SIZE: D	990E0031US
MFG APPR: [Signature]		45141ABV	SCALE: 1:2 WEIGHT:
G.A.		COMMENTS:	SHEET 1 OF 1
INTEREST GEOMETRIC TOLERANCES:			
MATERIAL:			
FINISH:			
USED ON:			
NEW ASSY:			
APPLICATION:			

PROPRIETARY AND CONFIDENTIAL  
THIS DRAWING AND ALL INFORMATION CONTAINED HEREIN IS THE SOLE PROPERTY OF  
DOW. ANY REPRODUCTION OR PARTIAL REPRODUCTION OF THIS DRAWING WITHOUT THE WRITTEN PERMISSION OF DOW IS PROHIBITED.

REV.	DESCRIPTION	DATE	APPROVED
A	ECCO 1193 CHANGED TURBINE HARDWARE	9/20/2017	DJE
AH	ECCO 1193 REVISIONS AND CHANGE HARDWARE FOR GASKET #3181205 PLACEMENT	8/6/2019	DRB
C	ECCO 1194 AND 1195 403130001 TO 101861	6/18/2020	JJF
D	ECCO 1193 UPDATED RELIEF VALVE AND PARTS LIST	7/27/2020	JJF
E	ECCO 1196 UPDATED RELIEF VALVE	12/22/2020	JJF
F	ECCO 1194 UPDATED HARDWARE	7/12/2021	JJF

REVISED



ITEM NO.	PART NO.	DESCRIPTION	QTY.
1	32871006	MOTORDECK, DZ PROPANE VAC, BLK	1
2	3181205	P/V15 ADAPTER PLATE, KAWASAKI, DZ	1
3	32883000	SUPPORT PLATE, DZ MDECK	1
4	60211C	CLAMP HOOK WELDMENT, MOTOR DECK	2
5	34817	SCREW UDS SOC-HD M6 X 20	8
6	34876	M6 LOCK NUT	2
7	22221	TURBINE, 5 STAGE, 4.0 KW	2
8	32856	EXHAUST DEFLECTOR, TURBINE	2
9	32858	SCREW #8 X 3/4 X 1/4	4
10	32859	WASHER #8 X 3/4 X 1/4	4
11	32854	PULLEY POLY, 1.6 GROOVE, 48MM DIA	2
12	32857	NUT M6 X 1.6, M3, 3/4"	2
13	215541	MOTOR LOCK 1/2"	4
14	50002	WASHER LOCK 1/2"	4
15	32842	BOLT SOC, 1/2X13 X 1 1/8	4
16	3292318	125MM SHEAVE 14 GROOVE	4
17	60210GA	LEFING BAR ASM, P/V15	1
18	1002201A	PRESSURE RELIEF VALVE WITH COVER	1
19	8010	END CAP, PLASTIC PLUG, 1IN X, 099IN, SERRATED	2
20	602354	THROTTLE BRACKET, P/V15	1
21	602312	PROPANE ENGINE	1
22	602312	PROPANE ENGINE KIT, THROTTLE	1
23	602312	PROPANE ENGINE KIT, BATTERY BOX	1
24	602355	P/V15 BATTERY BRACKET	1
25	602312	PROPANE ENGINE KIT, SOLENOID COVER	1
26	602312	PROPANE ENGINE KIT, KEY SWITCH	1
27	602312	PROPANE ENGINE KIT, SOLENOID	1
28	602312	PROPANE ENGINE KIT, REGULATOR	1
29	602312	PROPANE ENGINE KIT, MUFFLER	1
30	602312	PROPANE ENGINE KIT, 12V BATTERY	1
31	35015	BELT, 350J, 6 GROOVE, POLY V	2
32	330501	BUSHING, P1, TIN	1
33	37522	SCREW, .375 IN, 1.5 IN FH, SOC	2
34	60231202	GAS HOSE, LOW PRESS, 25IN FT, 60N	1
35	2509801	GASKET ROUND, 3/8", CUT AT 8/625"	1
36	32935	DSZ MOTORDECK GASKET 78"	1
37	25000	WASHER EXT STAR 28IN	3
38	250085	HEX BOLT 1/4-20 X 1 1/4 SS	1
39	21842	SCREW FLAT HEAD, M6 X 20, ZINC	2
40	3481701	SCREW SOC-BH FLANGED, M6-25	2
41	250535	HEX BOLT 1/4-20 X 1 SS	4
42	200180	WASHER FLAT, .251 (888D) SS	2
43	250025	NUT LOCK, 25-20, ZINC	2
44	32857	SCREW #8 X 3/4 X 1/4	2
45	32859	WASHER #8 X 3/4 X 1/4	2
46	32849	WASHER EXT STAR M3/M6	2
47	22120	PLUG, 60MM, BLK	4

REV.	DESCRIPTION	DATE	APPROVED
A	ECO 1193 CHANGED TURBINE HARDWARE	9/20/2017	DJE
AH	ECO 1193 REVISIONS AND CHANGE HARDWARE FOR GASKET #3181205 PLACEMENT	8/6/2019	DRB
C	ECO 1194 AND 1195 403130001 TO 101861	6/18/2020	JJF
D	ECO 1193 UPDATED RELIEF VALVE AND PARTS LIST	7/27/2020	JJF
E	ECO 1196 UPDATED RELIEF VALVE	12/22/2020	JJF
F	ECO 1194 UPDATED HARDWARE	7/12/2021	JJF

REV.	DESCRIPTION	DATE	APPROVED
A	ECO 1193 CHANGED TURBINE HARDWARE	9/20/2017	DJE
AH	ECO 1193 REVISIONS AND CHANGE HARDWARE FOR GASKET #3181205 PLACEMENT	8/6/2019	DRB
C	ECO 1194 AND 1195 403130001 TO 101861	6/18/2020	JJF
D	ECO 1193 UPDATED RELIEF VALVE AND PARTS LIST	7/27/2020	JJF
E	ECO 1196 UPDATED RELIEF VALVE	12/22/2020	JJF
F	ECO 1194 UPDATED HARDWARE	7/12/2021	JJF

REV.	DESCRIPTION	DATE	APPROVED
A	ECO 1193 CHANGED TURBINE HARDWARE	9/20/2017	DJE
AH	ECO 1193 REVISIONS AND CHANGE HARDWARE FOR GASKET #3181205 PLACEMENT	8/6/2019	DRB
C	ECO 1194 AND 1195 403130001 TO 101861	6/18/2020	JJF
D	ECO 1193 UPDATED RELIEF VALVE AND PARTS LIST	7/27/2020	JJF
E	ECO 1196 UPDATED RELIEF VALVE	12/22/2020	JJF
F	ECO 1194 UPDATED HARDWARE	7/12/2021	JJF

REV.	DESCRIPTION	DATE	APPROVED
A	ECO 1193 CHANGED TURBINE HARDWARE	9/20/2017	DJE
AH	ECO 1193 REVISIONS AND CHANGE HARDWARE FOR GASKET #3181205 PLACEMENT	8/6/2019	DRB
C	ECO 1194 AND 1195 403130001 TO 101861	6/18/2020	JJF
D	ECO 1193 UPDATED RELIEF VALVE AND PARTS LIST	7/27/2020	JJF
E	ECO 1196 UPDATED RELIEF VALVE	12/22/2020	JJF
F	ECO 1194 UPDATED HARDWARE	7/12/2021	JJF

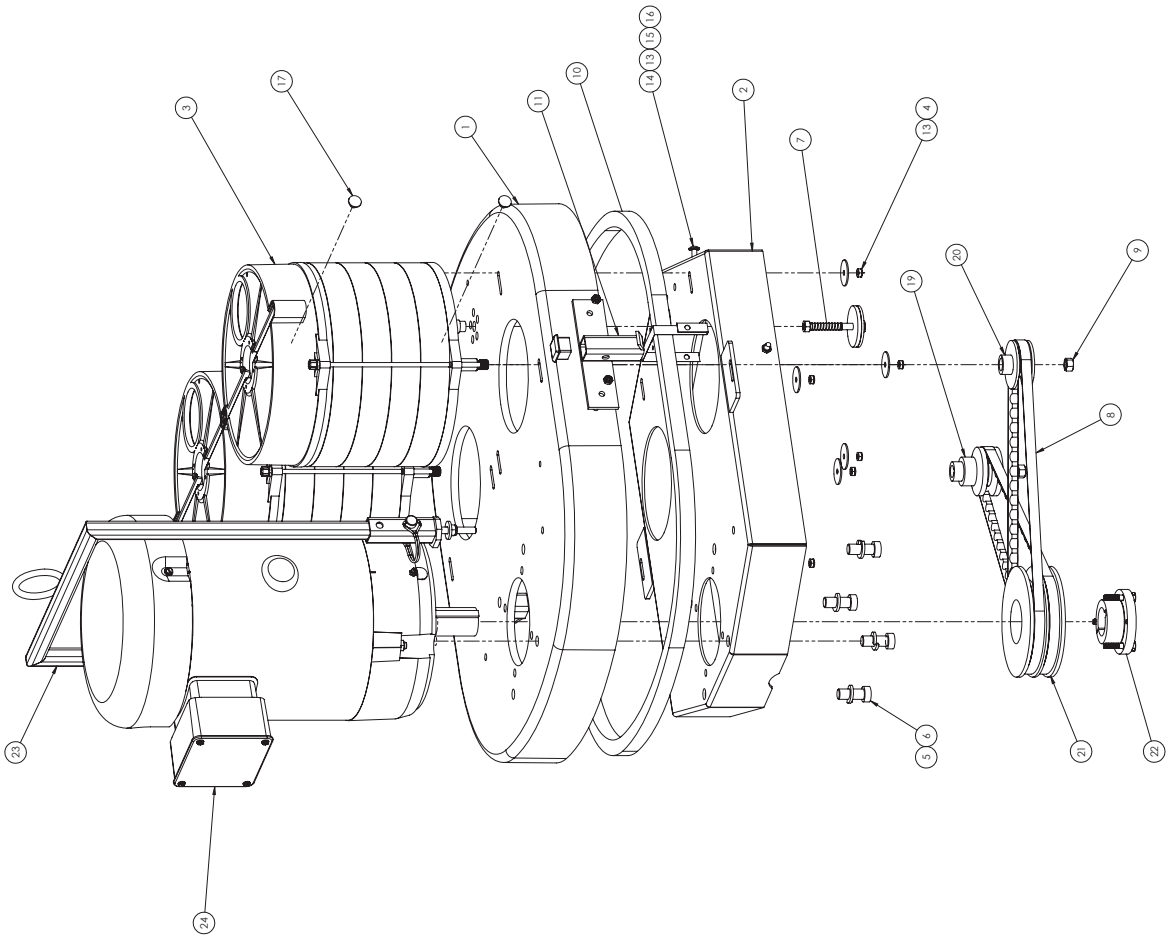
REV.	DESCRIPTION	DATE	APPROVED
A	ECO 1193 CHANGED TURBINE HARDWARE	9/20/2017	DJE
AH	ECO 1193 REVISIONS AND CHANGE HARDWARE FOR GASKET #3181205 PLACEMENT	8/6/2019	DRB
C	ECO 1194 AND 1195 403130001 TO 101861	6/18/2020	JJF
D	ECO 1193 UPDATED RELIEF VALVE AND PARTS LIST	7/27/2020	JJF
E	ECO 1196 UPDATED RELIEF VALVE	12/22/2020	JJF
F	ECO 1194 UPDATED HARDWARE	7/12/2021	JJF

REV.	DESCRIPTION	DATE	APPROVED
A	ECO 1193 CHANGED TURBINE HARDWARE	9/20/2017	DJE
AH	ECO 1193 REVISIONS AND CHANGE HARDWARE FOR GASKET #3181205 PLACEMENT	8/6/2019	DRB
C	ECO 1194 AND 1195 403130001 TO 101861	6/18/2020	JJF
D	ECO 1193 UPDATED RELIEF VALVE AND PARTS LIST	7/27/2020	JJF
E	ECO 1196 UPDATED RELIEF VALVE	12/22/2020	JJF
F	ECO 1194 UPDATED HARDWARE	7/12/2021	JJF

REV.	DESCRIPTION	DATE	APPROVED
A	ECO 1193 CHANGED TURBINE HARDWARE	9/20/2017	DJE
AH	ECO 1193 REVISIONS AND CHANGE HARDWARE FOR GASKET #3181205 PLACEMENT	8/6/2019	DRB
C	ECO 1194 AND 1195 403130001 TO 101861	6/18/2020	JJF
D	ECO 1193 UPDATED RELIEF VALVE AND PARTS LIST	7/27/2020	JJF
E	ECO 1196 UPDATED RELIEF VALVE	12/22/2020	JJF
F	ECO 1194 UPDATED HARDWARE	7/12/2021	JJF

REVISIONS		
REV.	DESCRIPTION	DATE
A	ECO 187 CHANGED BELT DRIVE HARDWARE TO LOCK NUTS	7/20/07
B	ECO 188 CHANGED MOTOR SECURING HW	3/26/19



ITEM NO.	PART NO.	DESCRIPTION	QTY.
1	32871001	DS2 MOTOR DECK	1
2	32883000	SUPPORT PLATE, D2 M/DECK	1
3	22221	TURBINE, 5 STAGE, 40 KW	2
4	20031	WASHER, FENDER, 1/4 X 1 1/4	6
5	50002	WASHER, LOCK 1/2"	4
6	32841	BOLT, SOC. 1/2-13 X 1 1/4	4
7	96960380	RELIEF VALVE ASM, 2"	1
8	3501512	BELT, POLY V-BELT, A X33	2
9	32827	NUT, HEX, LH, M12, 1.34"	2
10	32955	DS2 MOTOR DECK GASKET 78"	1
11	60211C	CLAMP HOOK WELDMENT, MOTOR DECK	2
12	8010	PLASTIC END CAP, 1" SQ	2
13	34876	M6 LOCK NUT	13
14	34998	SCREW ULS SOC HD M6 X 20	1
15	25000	WASHER EXT STAR 28N	3
16	22120	PLUG, BMM, BLK	4
17	3358149	GROUND STRIP, SPRINGS STEEL, 7.25" LONG	2
18	335810A	V-BELT PULLEY, DS2720	1
19	335820A	V-BELT PULLEY, DS2720	1
20	32923	PULLEY, 2V-BELT, 5.35"	1
21	30503	BUSHING, 1.375, DS2720	1
22	60210	CLAMP HOOK WELDMENT, MOTOR DECK	1
23	60210	CLAMP HOOK WELDMENT, MOTOR DECK	1
24	25010	MOTOR, 1800P, 100V, 3PHASE	1

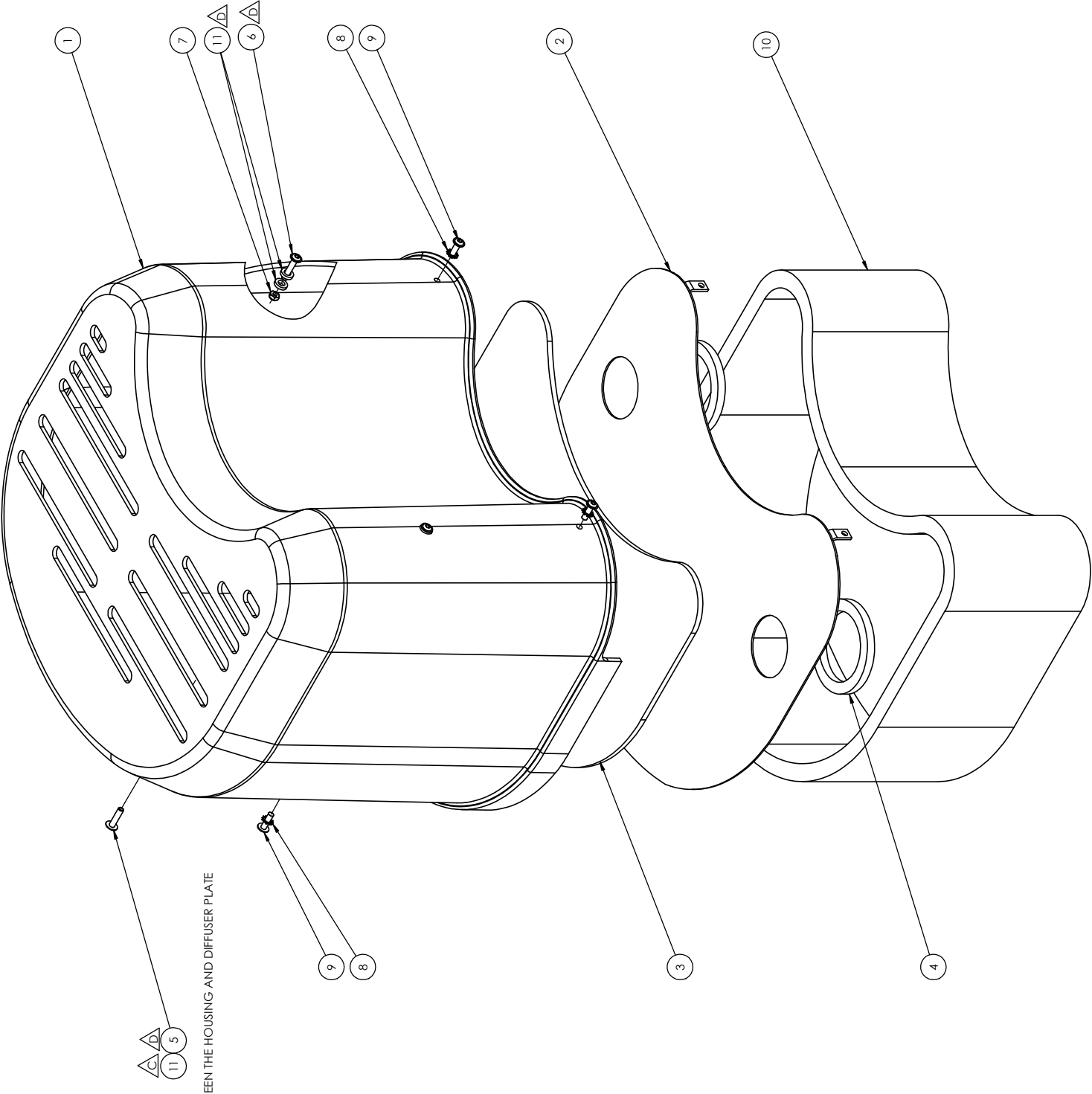
DATE	DATE	DATE	DATE
7/20/07	7/20/07	7/20/07	7/20/07

DESIGNED BY: [ ]  
 CHECKED BY: [ ]  
 DRAWN BY: [ ]  
 TITLE: DS2720 MOTOR DECK, BLK  
 SCALE: 1:3 W/EDGE  
 SIZE: Dwg. No. 990-E-0046 US  
 2501020  
 V-BELT  
 SHEET 1 OF 1

IMPORTANT COMMENTS:  
 SEE REMARKS COMMENTED BY THE CUSTOMER AND CONTACT THE SALES ENGINEER FOR ANY PARTS INFORMATION.

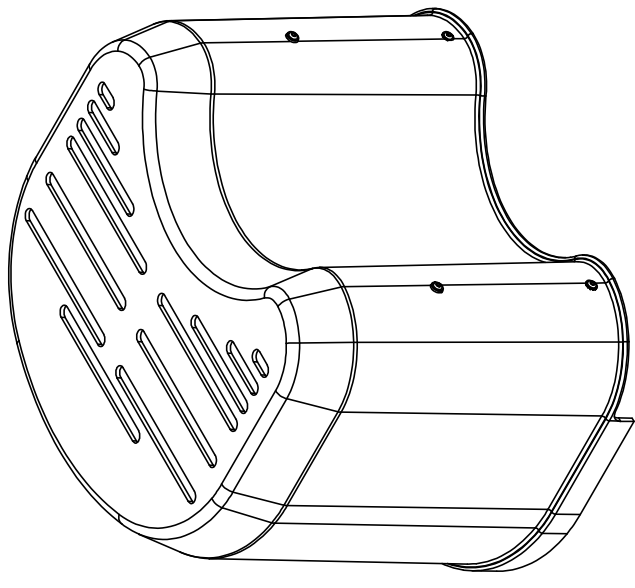
APPROVED BY: [ ]  
 APPROVED BY: [ ]  
 APPROVED BY: [ ]  
 APPROVED BY: [ ]





#200432 IS PLACED BETWEEN THE HOUSING AND DIFFUSER PLATE

REVISIONS				
ZONE	REV.	DESCRIPTION	DATE	APPROVED
	A	ECO #1145: REVISED ASM, UPDATED TO SW	8/13/18	D.J.S
	B	ECO 1508: REMOVED BRACKETS AND HW	8/30/2018	D.B
D7	C	ECO 1638: REPLACED HW & ADDED NYLON WASHER	8/13/2019	D8
C4, D7	D	ECO 1972: UPDATED HARDWARE AND ADDED NYLON WASHER SPACERS	2/24/2023	JMP



ITEM NO.	PART NO.	DESCRIPTION	DRAWING NO.	QTY.
1	32869001	SILENCER HOOD DS2		1
2	32917000	PLATE, DIFFUSER, D2		1
3	32914000	FIBERGLASS MAT, DIFFUSER, DS2 HOOD, BLUE		1
4	2509812	GASKET, 4" ODX, 3" IDx 3/8" THICK		2
5	3481701	SCREW, SOC BH, FLANGED, M6-25		1
6	21464	SCREW M6 X 30 SOC HD, FLANGED		2
7	34876	M6 LOCK NUT		3
8	25000	WASHER EXT STAR, .25IN		3
9	34817	SCREW US SOC HD M6 X 20		3
10	32918000	FOAM, D2 SILENCER HOOD		1
11	200432	NYLON WASHER/SPACER		5

UNLESS OTHERWISE SPECIFIED:  
 DIMENSIONS ARE IN INCHES  
 FRACTIONAL 1/16" INCHES  
 TWO PLACE DECIMAL .015  
 THREE PLACE DECIMAL .005

DATE: 8/30/18  
 DRAWN: D.B.  
 CHECKED: ENG APPR.  
 MFG APPR.  
 G.A.  
 COMMENTS:

54 Wimper St.  
 POLYORG, INC. 01040

TITILE: DIFFUSER ASM, DS2 EX

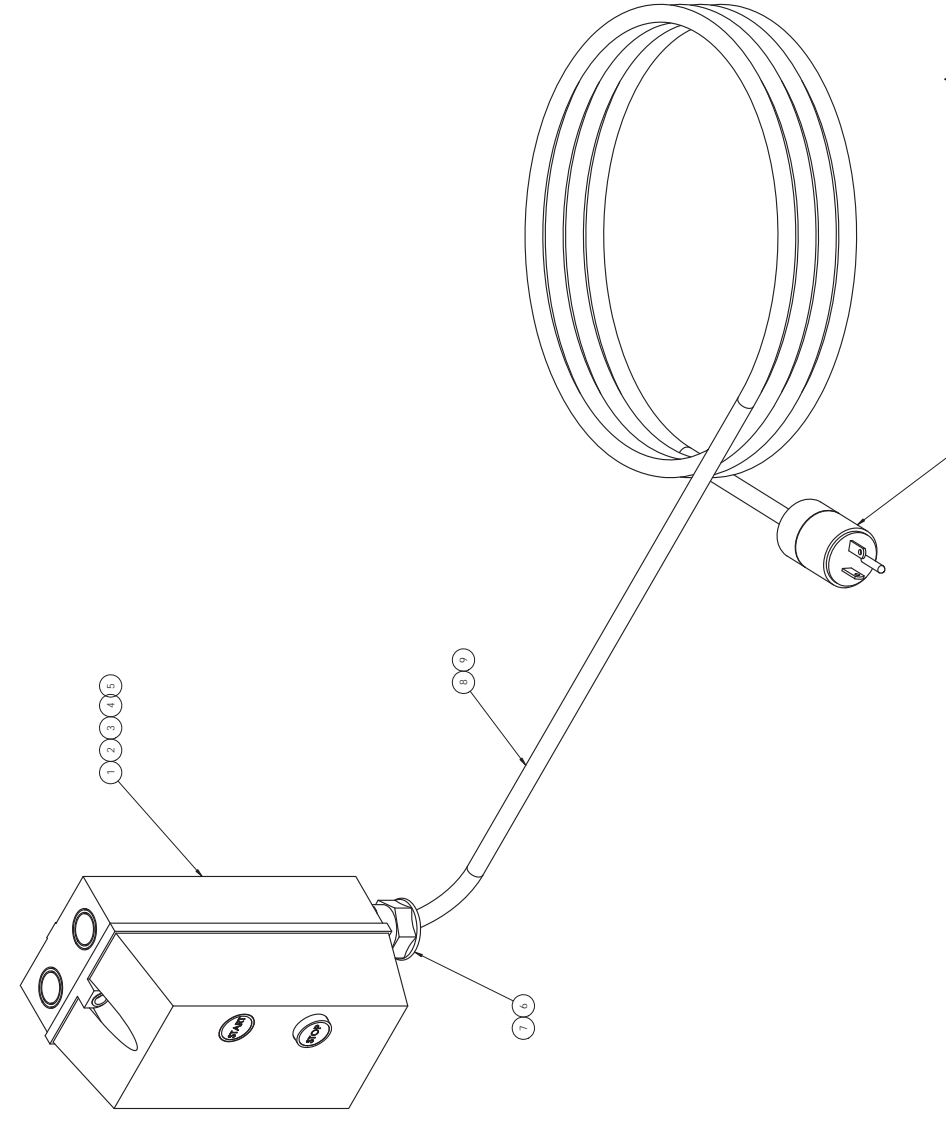
32869000A

SIZE DWG. NO. D 990 E 0027 US  
 REV D  
 SCALE: 1:1 WEIGHT: SHEET 1 OF 1

PROPRIETARY AND CONFIDENTIAL  
 THIS DRAWING AND ITS CONTENTS IS  
 THE SOLE PROPERTY OF  
 POLYORG, INC. ANY REPRODUCTION  
 OR DISSEMINATION OF THIS DRAWING  
 WITHOUT THE WRITTEN PERMISSION OF  
 POLYORG, INC. IS PROHIBITED.



REVISIONS				
ZONE	REV.	DESCRIPTION	DATE	APPROVED
	A	ECO 118- RFD317PC AND ADD #9005	5/11/2017	JIF
	B	ECO 118- REMOVED CORN CAP	10/9/2017	JIF
	A1	ECO 118- ADD CORN CAP	11/2/2017	JIF
	D	ECO 118- UPDATED W/ POWERHOUSE PART NOS.	9/14/2020	JIF



FOR WIRING DIAGRAM, SEE DWG# 000 K 0172 US

ITEM NO.	PART NO.	DESCRIPTION	DRAWING NO.	QTY.
1	99029	STARTER, MAG. 120V/23A/1P		1
2	99031	STARTER, MAG. 208-240V/23A/1P		1
3	99032	STARTER, MAG. 208-240V/23A/3P		1
4	99033	STARTER, MAG. 460V/76A/3P		1
5	34956	PG-21 CABLE GRP WITH WIRE CLAMP, POLY		1
6	34956-1	PG-21 POLY CABLE GRP 1/2"		1
7	20058	POWER CABLE 12/3-SC00W		50FT
8	28015	POWER CABLE 12/3-SC00W		50FT
10	80279	POWER CABLE 12/3-SC00W		1

DATE	BY	CHKD BY	APP'D BY	TITLE
5/11/2017	JIF			MOTOR STARTERS
10/9/2017	JIF			WORK/POWERHOUSE
11/2/2017	JIF			PORTABLE NON-EX
9/14/2020	JIF			SCALE: 1:1

REV.	DATE	DESCRIPTION
D	000 K 0169 US	

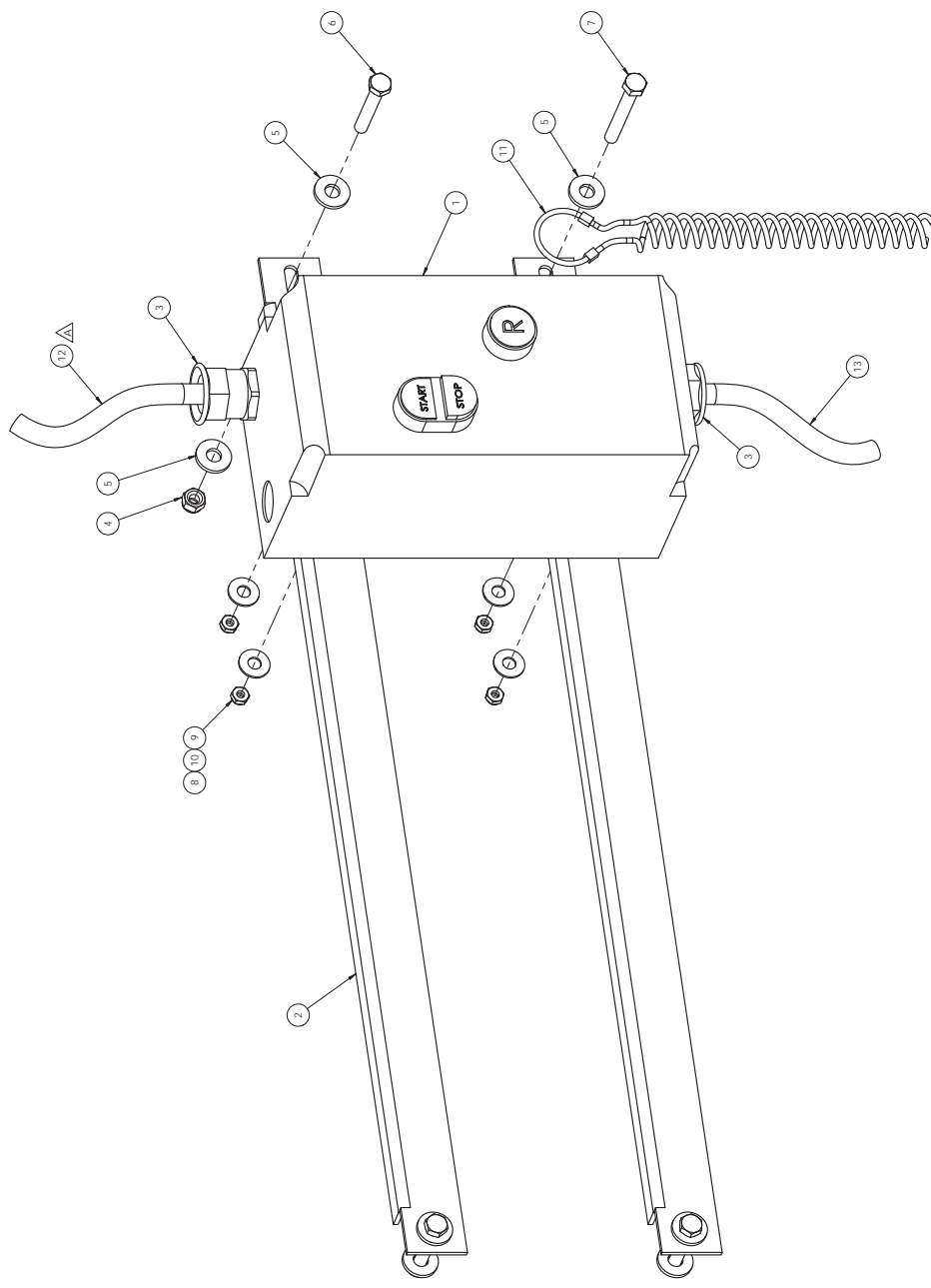
FOR WIRING DIAGRAM, SEE DWG# 000 K 0172 US

#8029- CORD CAP INSTALLED ON SINGLE PHASE 110V DS1000'S ONLY

SCALE: 1:1

SHEET 1 OF 1

REVISIONS		
ZONE	REV.	DATE
D4	A	2/9/2023



ITEM NO.	PART NO.	DESCRIPTION	QTY.
1	99037	STARTER MAG. 208-230V 1PH 3W 50/60HZ 1/2HP 1/2" 3PH	1
2	251510	MOUNTING BRACKET, DSG. REMOTE START	2
3	34956	PG 21, CABLE GRIP WITH WIRE CLAMP, POLY.	2
4	31202	5/16-18 LOCK NUT	4
5	31205	FLAT WASHER 5/16	8
6	31211	BOLT, HEX. 5/16-18 X 2"	3
7	31207	BOLT, HEX. 5/16-18 X 2 1/2"	1
8	34817	SCREW ILLS SOC HD M6 X 20	4
9	34876	M6 LOCK NUT	4
10	34882	WASHER FLAT/THIN M6 ZINC	4
11	EC4132A07	STRAIN RELIEF CABLE SUPPORT TINGH PLUS CHINESE FINGER	1
12	25022	POWER CABLE, 10/6, SOOW, BLK	5FT
13	20088	POWER CABLE, 10/4, SOOW, BLK	30FT

DATE	BY	CHKD	APPD	REV
02/09/23	J.F.			A

SA WINTER ST  
 1400 WINTER ST  
 WINTER, MISSISSIPPI 39090  
 TEL: 662.875.1234  
 FAX: 662.875.1235  
 WWW.SAWINTERST.COM

**TITILE** STARTER ASM. MAG.  
**POWERHOUSE PORTABLE, 208-230V 1PH 3W 50/60HZ 1/2HP 1/2" 3PH**  
**FITTINGS/CORD/MO PLUG**

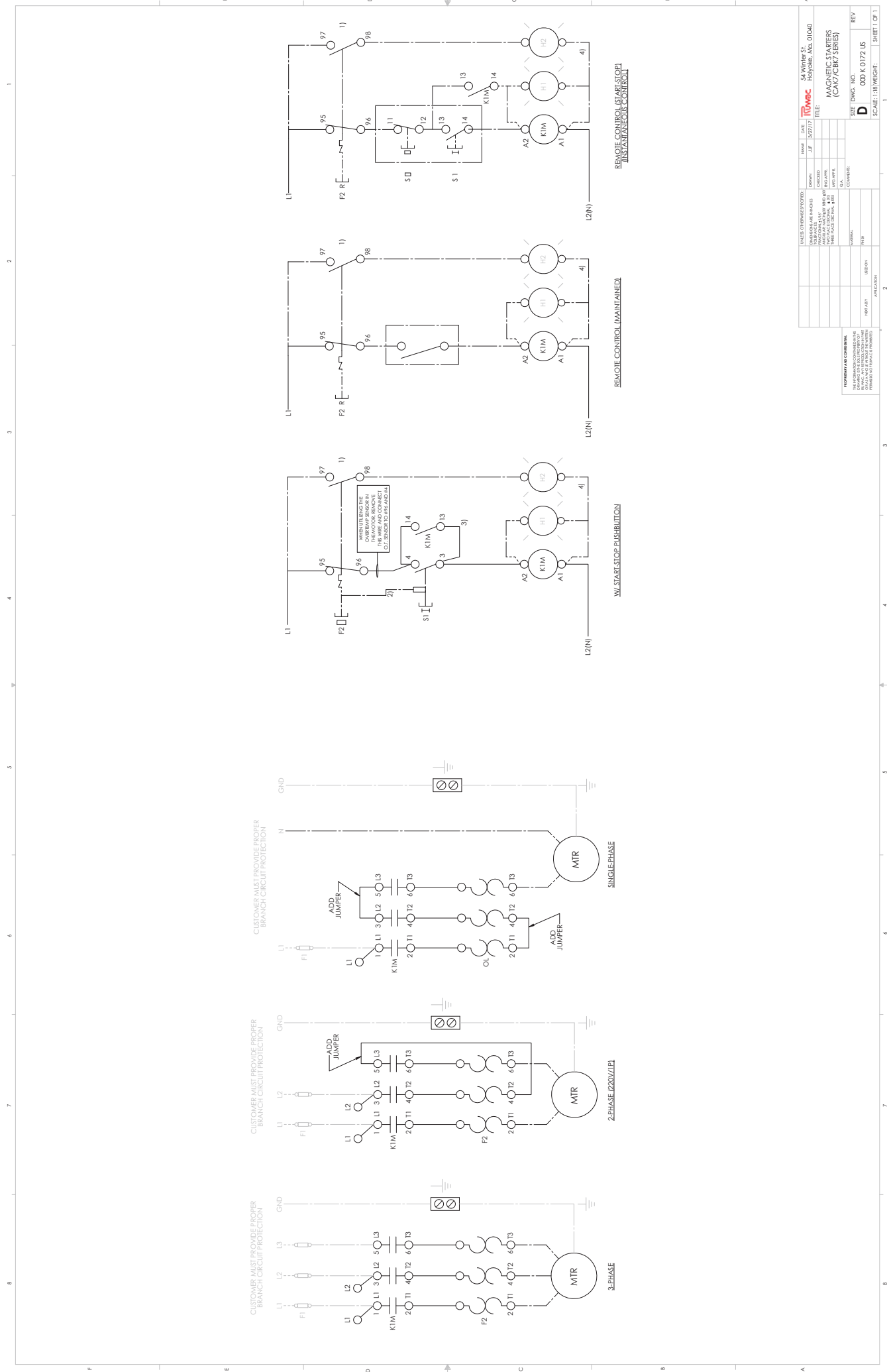
**SIZE** DWGS. NO. 9903702  
**REV** 000 K 0207 US  
**SCALE** 1X MACHF.

DATE	BY	CHKD	APPD	REV
02/09/23	J.F.			A

SA WINTER ST  
 1400 WINTER ST  
 WINTER, MISSISSIPPI 39090  
 TEL: 662.875.1234  
 FAX: 662.875.1235  
 WWW.SAWINTERST.COM

**TITILE** STARTER ASM. MAG.  
**POWERHOUSE PORTABLE, 208-230V 1PH 3W 50/60HZ 1/2HP 1/2" 3PH**  
**FITTINGS/CORD/MO PLUG**

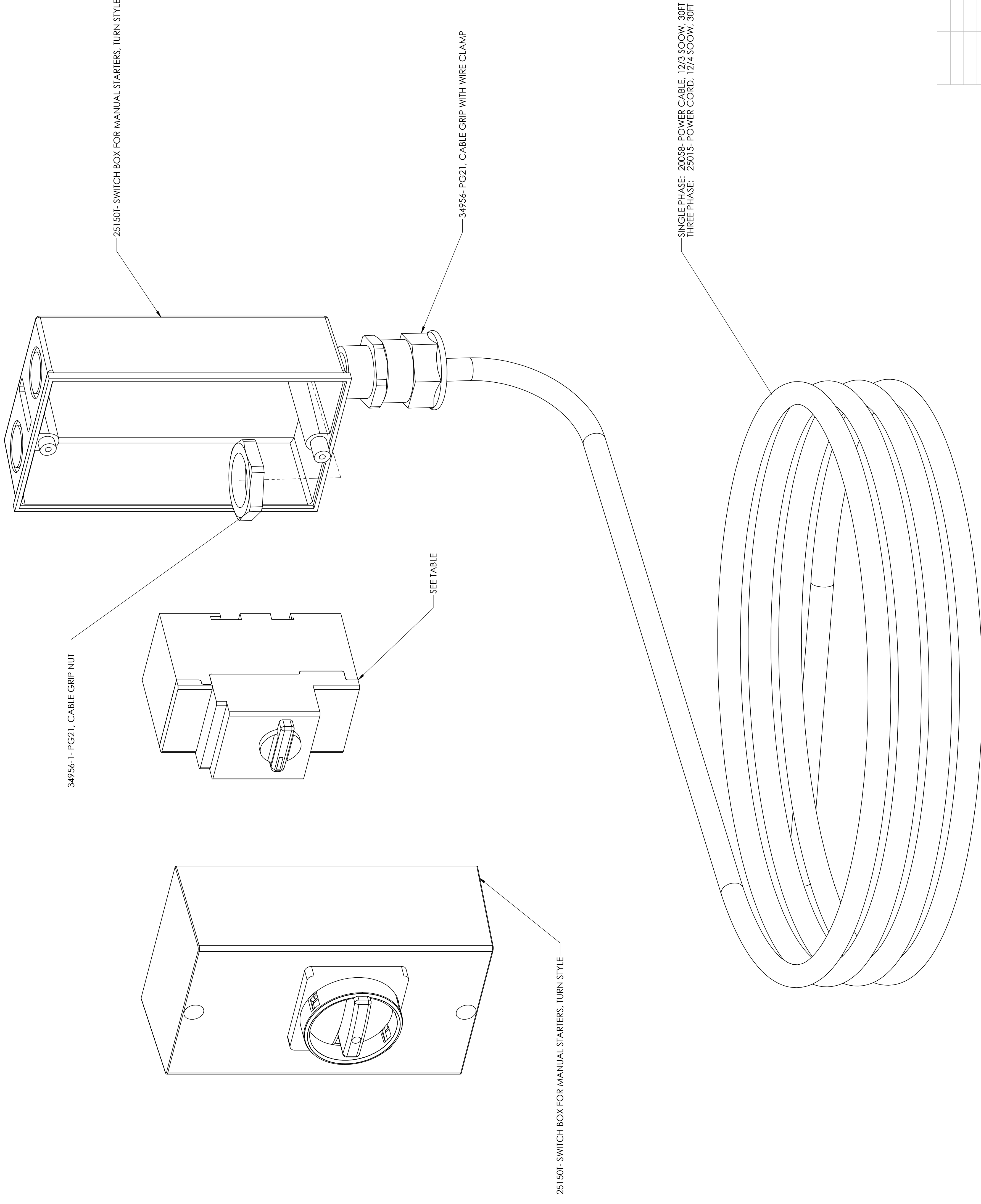
**SIZE** DWGS. NO. 9903702  
**REV** 000 K 0207 US  
**SCALE** 1X MACHF.



LEVEL	DATE	NAME	DATE	SA WINTER ST
DESIGNED BY	J.F.	3/27/77	REVISED	Holyoke, Mas. 01040
CHECKED BY			DATE	
APPROVED BY			DATE	
DATE				
SCALE	TITLE			
	MAGNETIC STARTERS			
	(CAN/CEB SERIES)			
	SIZE DWG. NO.			
	000 K.0172 US			
	REV			
	SCALE: 1/8"=1'-0"			
	SHEET 1 OF 1			

LEVEL	DATE	NAME	DATE	SA WINTER ST
DESIGNED BY	J.F.	3/27/77	REVISED	Holyoke, Mas. 01040
CHECKED BY			DATE	
APPROVED BY			DATE	
DATE				
SCALE	TITLE			
	MAGNETIC STARTERS			
	(CAN/CEB SERIES)			
	SIZE DWG. NO.			
	000 K.0172 US			
	REV			
	SCALE: 1/8"=1'-0"			
	SHEET 1 OF 1			

FOR INFORMATION ONLY  
 THIS INFORMATION IS FOR YOUR INFORMATION ONLY  
 IT IS NOT TO BE USED FOR ANY OTHER PURPOSES  
 WITHOUT THE WRITTEN PERMISSION OF THE AUTHOR



STARTER ASM	CONTACTOR	AMP RANGE	PHASE
99001	25161T	6.3-10	3
99002	25162T	10-16	3
99003	25163T	14.4-20	3
99004	25165T	18-25	3
99005	25177T	24-29	3
99007	25164T	2.5-4	3
99008	25160T	4-6.3	3
99009	25163T	14.5-20	1
99010	25161T	6.3-10	1
99011	25162T	10-16	1

NAME	DATE	54 WINTER ST.
DIE	5/24/17	PROY/REG, NGL 01040
DRAWN		TITLE:
CHECKED		
ENG APPR.		
MFG APPR.		
G.A.		

SIZE	DWG. NO.	REV
99001	99002	-
99003	99004	000 E 0407 US
99005	99007	-
99008	99009	-
99010	99011	-

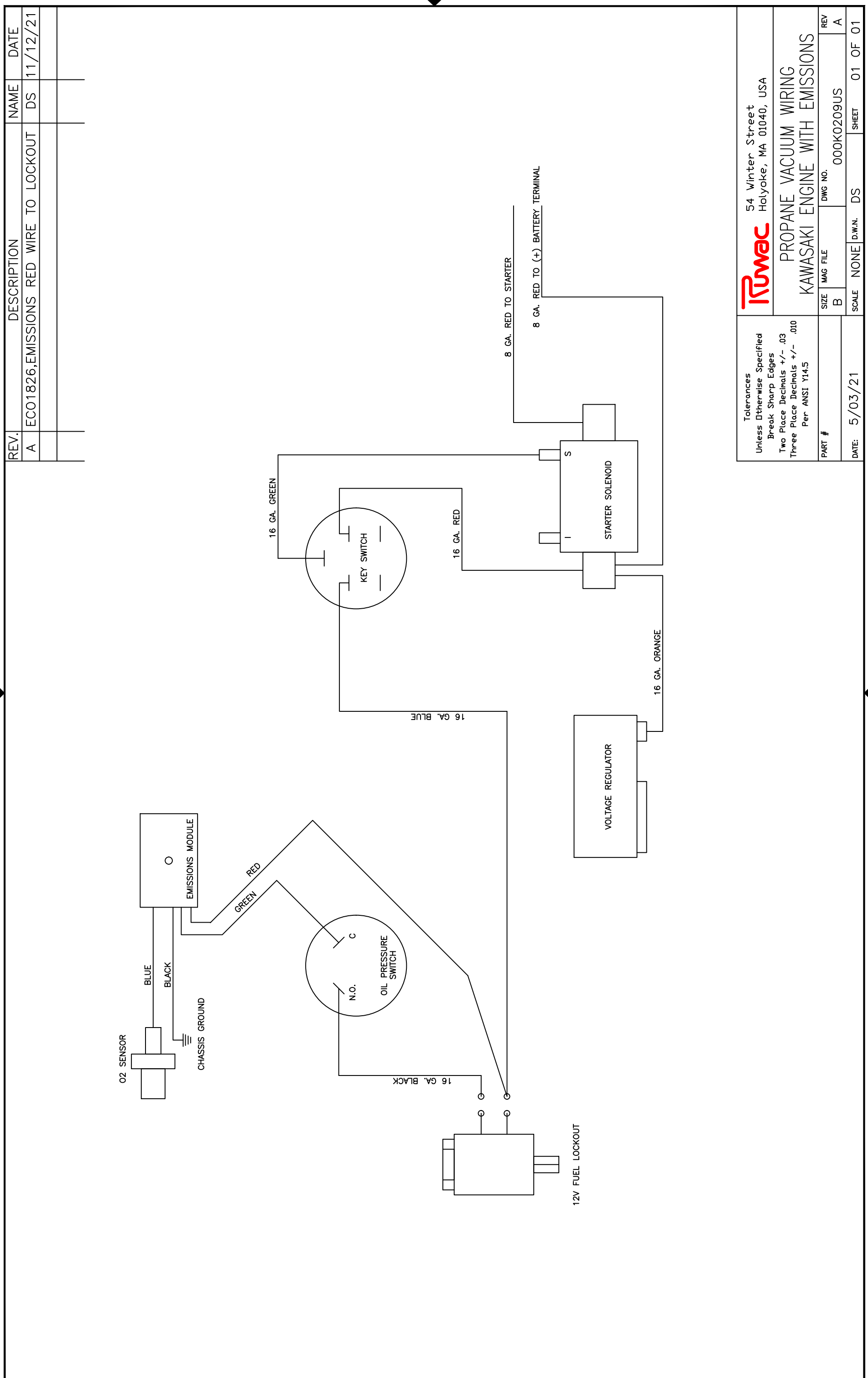
UNLESS OTHERWISE SPECIFIED:  
 DIMENSIONS ARE IN INCHES  
 TOLERANCES:  
 FRACTIONAL 1/16" PER END ±.03  
 TWO PLACE DECIMAL ±.012  
 THREE PLACE DECIMAL ±.005  
 BREAK SHARP EDGES  
 MATERIAL  
 FINISH  
 USED ON  
 APPLICATION

**PROPRIETARY AND CONFIDENTIAL**  
 THIS DRAWING IS THE SOLE PROPERTY OF  
 RWAC. ANY REPRODUCTION IN PART  
 OR WHOLE WITHOUT THE WRITTEN  
 PERMISSION OF RWAC IS PROHIBITED.

STARTER ASMS, MANUAL,  
 TURN STYLE

SCALE: 1:1 WEIGHT:  
 SHEET 1 OF 1

NOTICE: THIS DOCUMENT IS THE PROPERTY OF RUWAC U.S.A. NEITHER THIS DOCUMENT NOR ANY DATA OR INFORMATION HEREIN SHALL BE COPIED OR REPRODUCED IN ANY MANNER, LOANED OR OTHERWISE DISPOSED OF OR USED FOR ANY PURPOSE WITHOUT THE PRIOR WRITTEN PERMISSION OF RUWAC U.S.A. IF THIS DOCUMENT IS LOANED BY OR WITH THE AUTHORITY OF RUWAC U.S.A. THE BORROWER, IN CONSIDERATION OF SUCH LOAN, AGREES TO THE FOREGOING CONDITIONS AND TO RETURN THIS DOCUMENT UPON REQUEST OR UPON COMPLETION OF THE SPECIFICALLY AUTHORIZED WORK IT WAS ISSUED FOR.



REV.	DESCRIPTION	NAME	DATE
A	ECO1826,EMISSIONS RED WIRE TO LOCKOUT	DS	11/12/21

<p>Tolerances Unless Otherwise Specified Break Sharp Edges Two Place Decimals +/- .03 Three Place Decimals +/- .010 Per ANSI Y14.5</p>		<p><b>RUWAC</b> 54 Winter Street Holyoke, MA 01040, USA</p>	
<p>PROANE VACUUM WIRING KAWASAKI ENGINE WITH EMISSIONS</p>		<p>MAG FILE B</p>	<p>DWG NO. 000K0209US</p>
<p>PART #</p>		<p>SCALE NONE</p>	<p>D.W.N. DS</p>
<p>DATE: 5/03/21</p>		<p>SHEET 01</p>	<p>OF 01</p>